

**EN ORIGINAL INSTRUCTIONS**

**IMPORTANT** - These instructions are for your safety. Please read through them thoroughly prior to handling the product and retain them for future reference.



V10423\_5063022106599\_MAND1\_2223

**EN Cordless 5 in 1  
Multi-Tool 36V**

**M5MT36-Li**

5063022106599

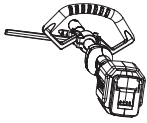
5063022113948

**TT5MT36-Li**

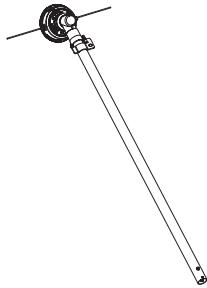
5063022106605

5063022113955

## EN Parts



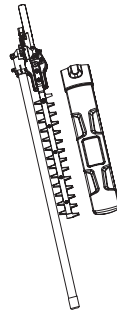
01. x1



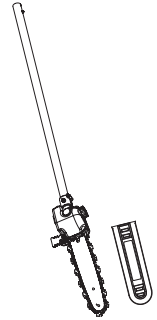
02. x1



03. x1



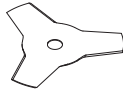
04. x1



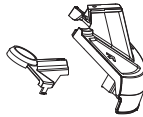
05. x1



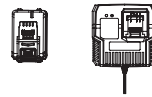
06. x1



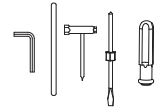
07. x1



08. x1



09. x1



10. x1

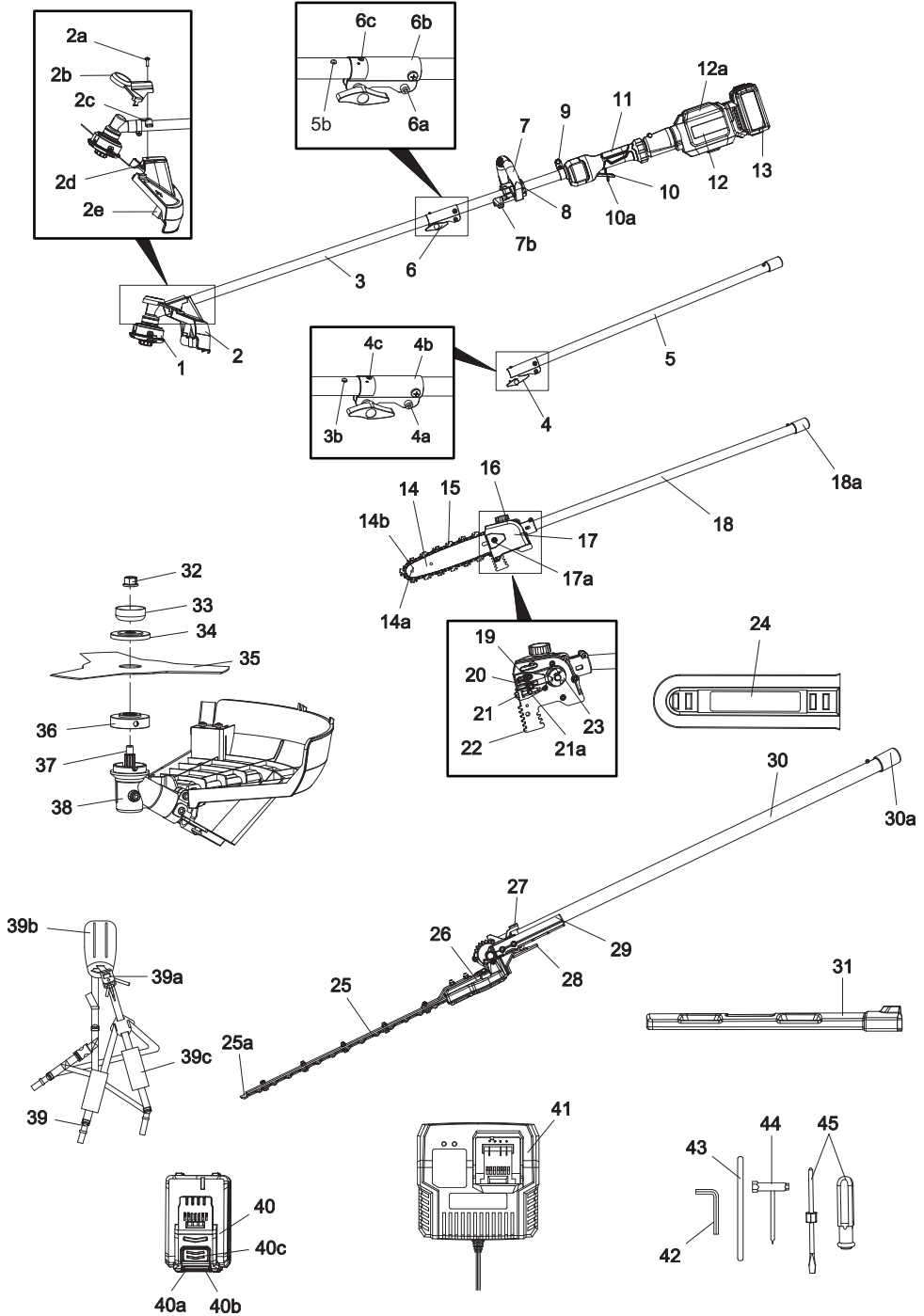
## EN You will need



## EN Contents

<b>EN</b>	
<b>Product description</b>	3
<b>Safety</b>	5
<b>Technical specification</b>	25
<b>Before you start</b>	27
<b>Functions &amp; Settings</b>	38
<b>Operation</b>	43
<b>Care and maintenance</b>	52
<b>Guarantee</b>	62
<b>Declaration of conformity</b>	63

# EN Product description



### **Grass trimmer / brush cutter attachment**

1. Trimmer head
  - a. Cover\*
  - b. Bumper\*
  - c. Trimming spool\*
  - d. Trimming line\*
  - e. Release latch (x2)\*
  - f. Eyelet (x2)\*
  - g. Spring\*
  - h. Housing\*
2. Guard
  - a. Mounting bolt
  - b. Guard cover
  - c. Guard support
  - d. Slot
  - e. Knife
  - f. Knife protector\*
  - g. Buckle\*
3. Grass trimmer / brush cutter pole
  - a. Protective sleeve\*
  - b. Locking pin

### **Extension pole attachment**

4. Lock button
  - a. Bolt
  - b. Locking sleeve
  - c. Bore
5. Extension pole
  - a. Protective sleeve\*
  - b. Locking pin

### **Motor unit**

6. Lock button
  - a. Bolt
  - b. Locking sleeve
  - c. Bore

7. Auxiliary handle
  - a. Mounting bolt\* (x4)
  - b. Barrier
8. Front foam grip
9. Hanging hook
10. On/off switch
  - a. Lock-off lever
11. Main handle
12. Motor housing
  - a. Air vents
13. Battery docking port

### **Pole pruner attachment**

14. Guide bar
  - a. Sprocket wheel
  - b. Lubrication hole
15. Saw chain
16. Oil tank cap
  - a. Oil level window\*
  - b. Oil adjustment screw\*
17. Pruner cover
  - a. Locking nut
  - b. Spigot\*
18. Pruner pole
  - a. Protective sleeve
  - b. Locking pin\*
19. Oiling port
20. Mounting bolt
21. Tension screw
  - a. Tension pin
22. Spiked bumper
23. Drive sprocket
24. Guide bar cover

### **Pole hedge trimmer attachment**

25. Hedge trimmer blade
  - a. Blade tip protector

26. Gear housing
27. Lock / release lever
28. Control lever
29. Operation handle
30. Hedge trimmer pole
  - a. Protective sleeve
  - b. Locking pin\*
31. Hedge trimmer blade cover

### **Brush cutter attachment**

32. Locking nut
33. Cup washer
34. Locking flange
35. Cutter blade (3-Teeth)
  - a. Blade protector\* (x3)
36. Backing flange
37. Spindle
38. Gear head
39. Harness
  - a. Securing clip
  - b. Protection pad
  - c. Quick release lever

### **Battery pack and charger**

40. Battery pack
  - a. Battery capacity button
  - b. Battery capacity indicators
  - c. Release button
41. Charger

### **Tool accessories**

42. Hex key (5mm)
43. Spindle lock rod
44. Multi tool
45. Double head screwdriver



**NOTE:** Parts marked with \* are not shown in this overview. Please refer to the respective part in the instruction manual.



### General power tool safety warnings



**WARNING!** Read all safety warnings, instructions, illustrations and specifications provided with this power tool. *Failure to follow all instructions listed below may result in electric shock, fire and/or serious injury.*

**Save all warnings and instructions for future reference.**

*The term “power tool” in the warnings refers to your mains-operated (corded) power tool or battery-operated (cordless) power tool.*

### Work area safety

- a) **Keep work area clean and well lit.** *Cluttered or dark areas invite accidents.*
- b) **Do not operate power tools in explosive atmospheres, such as in the presence of flammable liquids, gases or dust.** *Power tools create sparks which may ignite the dust or fumes.*
- c) **Keep children and bystanders away while operating a power tool.** *Distractions can cause you to lose control.*

### Electrical safety

- a) **Power tool plugs must match the outlet. Never modify the plug in any way. Do not use any adapter plugs with earthed (grounded) power tools.** *Unmodified plugs and matching outlets will reduce risk of electric shock.*
- b) **Avoid body contact with earthed or grounded surfaces, such as pipes, radiators, ranges and refrigerators.** *There is an increased risk of electric shock if your body is earthed or grounded.*

- c) **Do not expose power tools to rain or wet conditions.** *Water entering a power tool will increase the risk of electric shock.*
- d) **Do not abuse the cord. Never use the cord for carrying, pulling or unplugging the power tool. Keep cord away from heat, oil, sharp edges or moving parts.** *Damaged or entangled cords increase the risk of electric shock.*
- e) **When operating a power tool outdoors, use an extension cord suitable for outdoor use.** *Use of a cord suitable for outdoor use reduces the risk of electric shock.*
- f) **If operating a power tool in a damp location is unavoidable, use a residual current device (RCD) protected supply.** *Use of an RCD reduces the risk of electric shock.*

## **Personal safety**

- a) **Stay alert, watch what you are doing and use common sense when operating a power tool. Do not use a power tool while you are tired or under the influence of drugs, alcohol or medication.** *A moment of inattention while operating power tools may result in serious personal injury.*
- b) **Use personal protective equipment. Always wear eye protection.** *Protective equipment such as dust mask, non-skid safety shoes, hard hat, or hearing protection used for appropriate conditions will reduce personal injuries.*
- c) **Prevent unintentional starting. Ensure the switch is in the off-position before connecting to power source and/or battery pack, picking up or carrying the tool.** *Carrying power tools with your finger on the switch or energising power tools that have the switch on invites accidents.*
- d) **Remove any adjusting key or wrench before turning the power tool on.** *A wrench or a key left attached to a rotating part of the power tool may result in personal injury.*
- e) **Do not overreach. Keep proper footing and balance at all times.** *This enables better control of the power tool in unexpected situations.*
- f) **Dress properly. Do not wear loose clothing or jewellery. Keep your hair and clothing away from moving parts.** *Loose clothes, jewellery or long hair can be caught in moving parts.*

- g) **If devices are provided for the connection of dust extraction and collection facilities, ensure these are connected and properly used.** *Use of dust collection can reduce dust-related hazards.*
- h) **Do not let familiarity gained from frequent use of tools allow you to become complacent and ignore tool safety principles.** *A careless action can cause severe injury within a fraction of a second.*

## **Power tool use and care**

- a) **Do not force the power tool. Use the correct power tool for your application.** *The correct power tool will do the job better and safer at the rate for which it was designed.*
- b) **Do not use the power tool if the switch does not turn it on and off.** *Any power tool that cannot be controlled with the switch is dangerous and must be repaired.*
- c) **Disconnect the plug from the power source and/or remove the battery pack, if detachable, from the power tool before making any adjustments, changing accessories, or storing power tools.** *Such preventive safety measures reduce the risk of starting the power tool accidentally.*
- d) **Store idle power tools out of the reach of children and do not allow persons unfamiliar with the power tool or these instructions to operate the power tool.** *Power tools are dangerous in the hands of untrained users.*
- e) **Maintain power tools and accessories. Check for misalignment or binding of moving parts, breakage of parts and any other condition that may affect the power tool's operation. If damaged, have the power tool repaired before use.** *Many accidents are caused by poorly maintained power tools.*
- f) **Keep cutting tools sharp and clean.** *Properly maintained cutting tools with sharp cutting edges are less likely to bind and are easier to control.*

- g) **Use the power tool, accessories and tool bits etc. in accordance with these instructions, taking into account the working conditions and the work to be performed. Use of the power tool for operations different from those intended could result in a hazardous situation.**
- h) **Keep handles and grasping surfaces dry, clean and free from oil and grease. Slippery handles and grasping surfaces do not allow for safe handling and control of the tool in unexpected situations.**

## **Battery tool use and care**

- a) **Recharge only with the charger specified by the manufacturer. A charger that is suitable for one type of battery pack may create a risk of fire when used with another battery pack.**
- b) **Use power tools only with specifically designated battery packs. Use of any other battery packs may create a risk of injury and fire.**
- c) **When battery pack is not in use, keep it away from other metal objects, like paper clips, coins, keys, nails, screws or other small metal objects that can make a connection from one terminal to another. Shorting the battery terminals together may cause burns or a fire.**
- d) **Under abusive conditions, liquid may be ejected from the battery; avoid contact. If contact accidentally occurs, flush with water. If liquid contacts eyes, additionally seek medical help. Liquid ejected from the battery may cause irritation or burns.**
- e) **Do not use battery pack or tool that is damaged or modified. Damaged or modified batteries may exhibit unpredictable behaviour resulting in fire, explosion or risk of injury.**
- f) **Do not expose a battery pack or tool to fire or excessive temperature. Exposure to fire or temperature above 130 °C may cause explosion.**

- g) **Follow all charging instructions and do not charge the battery pack or tool outside the temperature range specified in the instructions.** *Charging improperly or at temperatures outside the specified range may damage the battery and increase the risk of fire.*

## Service

- a) **Have your power tools serviced by a qualified repair person using only identical replacement parts.** *This will ensure that safety of the power tool is maintained.*
- b) **Never service damaged battery packs.** *Service of battery packs should only be performed by the manufacturer or authorized service providers.*

## Electrically powered grass trimmer and brush cutter safety warnings



**IMPORTANT**

**READ CAREFULLY BEFORE USE  
KEEP FOR FUTURE REFERENCE**

## Training

- a) Read the instructions carefully. Be familiar with the controls and the correct use of the product.
- b) Never allow children or people unfamiliar with these instructions to use the product. Local regulations can restrict the age of the operator.
- c) Keep in mind that the operator or user is responsible for accidents or hazards occurring to other people or their property.

## Preparation

- a) Before use, always visually inspect the machine for damaged, missing or misplaced guards or shields.
- b) Never operate the product while people, especially children, or pets are nearby.

- c) Always wear substantial footwear and long trousers while operating the product.

## **Operation**

- a) Wear eye protection and stout shoes at all times while operating the product.
- b) Avoid using the product in bad weather conditions especially when there is a risk of lightning.
- c) Use the product only in daylight or good artificial light.
- d) Never operate the product with damaged guards or shields or without guards or shields in place.
- e) Switch on the motor only when the hands and feet are away from the cutting means.
- f) Stop the product and remove the battery pack. Make sure that all moving parts have come to a complete stop
- whenever the product is left unattended;
  - before clearing a blockage;
  - before checking, cleaning or working on the product;
  - after striking a foreign object;
  - whenever the product starts vibrating abnormally.
- g) Take care against injury to feet and hands from the cutting means.
- h) Always ensure that the ventilation openings are kept clear of debris.
- i) The operation of the tool must be limited, and some rest must be taken between two sessions (e.g. 60 min of operation and 30 min of rest).
- j) Always be sure of the footing on slopes. Walk, never run.

## **Maintenance and storage**

- a) Disconnect the product from the power supply (i.e. remove the battery pack) before carrying out maintenance or cleaning work.
- b) Use only the manufacturer's recommended replacement parts and accessories.
- c) Inspect and maintain the product regularly. Have the product repaired only by an authorized repairer.

- d) When not in use, store the product out of the reach of children.

## **Additional safety warnings for grass trimmer and brush cutter**

- a) **Do not use the machine in bad weather conditions, especially when there is a risk of lightning.** *This decreases the risk of being struck by lightning.*
- b) **Thoroughly inspect the area for wildlife where the machine is to be used.** *Wildlife may be injured by the machine during operation.*
- c) **Thoroughly inspect the area where the machine is to be used and remove all stones, sticks, wires, bones, and other foreign objects.** *Thrown objects can cause personal injury.*
- d) **Before using the machine, always visually inspect to see that the cutter or blade and the cutter or blade assembly are not damaged.** *Damaged parts increase the risk of injury.*
- e) **Follow instructions for changing accessories.** *Improperly tightened blade securing nuts or bolts may either damage the blade or result in it becoming detached.*
- f) **The rated rotational speed of the blade must be at least equal to the maximum rotational speed marked on the machine.** *Blades running faster than their rated rotational speed can break and fly apart.*
- g) **Wear eye, ear, head and hand protection.** *Adequate protective equipment will reduce personal injury by flying debris or accidental contact with the cutting line or blade.*
- h) **While operating the machine, always wear safety footwear. Do not operate the machine when barefoot or wearing open sandals.** *This reduces the chance of injury to the feet from contact with a moving cutter, line or blade.*
- i) **While operating the machine, always wear long trousers.** *Exposed skin increases the likelihood of injury from thrown objects.*
- j) **Keep bystanders away while operating the machine.** *Thrown debris can result in serious personal injury.*

- k) **Always use two hands when operating the machine.** *Holding the machine with both hands will avoid loss of control.*
- l) **Hold the machine by insulated gripping surfaces only, because the cutting line or blade may contact hidden wiring.** *Cutting line or blades contacting a “live” wire may make exposed metal parts of the machine “live” and could give the operator an electric shock.*
- m) **Always keep proper footing and operate the machine only when standing on the ground.** *Slippery or unstable surfaces may cause a loss of balance or control of the machine.*
- n) **Do not operate the machine on excessively steep slopes.** *This reduces the risk of loss of control, slipping and falling which may result in personal injury.*
- o) **When working on slopes, always be sure of your footing, always work across the face of slopes, never up or down and exercise extreme caution when changing direction.** *This reduces the risk of loss of control, slipping and falling which may result in personal injury.*
- p) **Keep the supply cord away from the cutter, line or blade.** *A damaged supply cord may result in electric shock, fire and/or serious injury.*
- q) **Keep all parts of the body away from the cutter, line or blade when the machine is operating. Before you start the machine, make sure the cutter, line or blade is not contacting anything.** *A moment of inattention while operating the machine may result in injury to yourself or others.*
- r) **Do not operate the machine above waist height.** *This helps prevent unintended cutter or blade contact and enables better control of the machine in unexpected situations.*
- s) **When cutting brush or saplings that are under tension, be alert for spring back.** *When the tension in the wood fibres is released, the brush or sapling may strike the operator and/or throw the machine out of control.*
- t) **Use extreme caution when cutting brush and saplings.** *The slender material may catch the blade and be whipped toward you or pull you off balance.*

- u) **Maintain control of the machine and do not touch cutters, lines or blades and other hazardous moving parts while they are still in motion.** *This reduces the risk of injury from moving parts.*
- v) When clearing jammed material or servicing the machine, **make sure the switch is off and the battery pack is removed.** *Unexpected starting of the machine while clearing jammed material or servicing may result in serious personal injury.*
- w) **Carry the machine with the machine switched off and away from your body.** *Proper handling of the machine will reduce the likelihood of accidental contact with a moving cutter, line or blade.*
- x) **When transporting or storing the machine, always fit the cover on metal blades.** *Proper handling of the machine will reduce the likelihood of accidental contact with the blade.*
- y) **Only use replacement cutters, lines, cutting heads and blades specified by the manufacturer.** *Incorrect replacement parts may increase the risk of breakage and injury.*

## **Blade thrust causes and related warnings**

Blade thrust is a sudden sideways, forward or backward motion of the machine, which may occur when the blade jams or catches on an object such as a sapling or a tree stump. It can be violent enough to cause the machine and/or operator to be propelled in any direction, and possibly lose control of the machine.

Blade thrust and its related hazards can be avoided by taking proper precautions as given below.

- a) **Maintain a firm grip with both hands on the machine and position your arms to resist blade thrust. Position your body to the left side of the machine.** *Blade thrust can increase the risk of injury due to the machine moving unexpectedly. Blade thrust can be controlled by the operator if proper precautions are taken.*

- b) **If the blade binds, or when interrupting a cut for any reason, switch the machine off and hold the machine motionless in the material until the blade comes to a complete stop. While the blade is binding, never attempt to remove the machine from the material or pull the machine backward while the blade is in motion, otherwise blade thrust may occur. Investigate and take corrective actions to eliminate the cause of blade binding.**
- c) **Do not use blunt or damaged blades. Blunt or damaged blades increase the risk of jamming or catching on an object, resulting in blade thrust.**
- d) **Always maintain good visibility of the material being cut. Blade thrust is more likely to occur in areas where it is difficult to see the material being cut.**
- e) **If you are approached by another person while operating the machine, switch the machine off. There is an increased risk of injury to other persons being struck by the moving blade in the event of blade thrust.**

## **Electrically powered hedge trimmer safety warnings**

- a) **Keep all parts of the body away from the blade. Do not remove cut material or hold material to be cut when blades are moving. Blades continue to move after the switch is turned off. A moment of inattention while operating the hedge trimmer may result in serious personal injury.**
- b) **Carry the hedge trimmer by the handle with the blade stopped and taking care not to operate any power switch. Proper carrying of the hedge trimmer will decrease the risk of inadvertent starting and resultant personal injury from the blades.**
- c) **When transporting or storing the hedge trimmer, always fit the blade cover. Proper handling of the hedge trimmer will decrease the risk of personal injury from the blades.**

- d) **When clearing jammed material or servicing the unit, make sure all power switches are off and the battery pack is removed or disconnected.** *Unexpected actuation of the hedge trimmer while clearing jammed material or servicing may result in serious personal injury.*
- e) **Hold the hedge trimmer by insulated gripping surfaces only, because the blade may contact hidden wiring.** *Blades contacting a “live” wire may make exposed metal parts of the hedge trimmer “live” and could give the operator an electric shock.*
- f) **Keep all power cords and cables away from cutting area.** *Power cords or cables may be hidden in hedges or bushes and can be accidentally cut by the blade.*
- g) **Do not use the hedge trimmer in bad weather conditions, especially when there is a risk of lightning.** *This decreases the risk of being struck by lightning.*

## **Additional safety warnings for pole hedge trimmer**

- a) **To reduce the risk of electrocution, never use the pole hedge trimmer near any electrical power lines.** *Contact with or use near power lines may cause serious injury or electric shock resulting in death.*
- b) **Always use two hands when operating the pole hedge trimmer.** *Hold the pole hedge trimmer with both hands to avoid loss of control.*
- c) **Always use head protection when operating the pole hedge trimmer overhead.** *Falling debris can result in serious personal injury.*
- d) **Before operating the hedge trimmer, the user should make sure the locking device(s) of any moving elements (e.g. the extended shaft and pivoting element), if any, are in the locked position.**

## Electrically powered pruner safety warnings

- a) **Interrupt your work when you feel tired or exhausted. Make regular breaks to regenerate.** *A moment of inattention while operating the product may result in serious personal injury.*
- b) **Keep all parts of the body away from the saw chain. Do not remove cut material or hold material to be cut when saw chain is moving. Make sure the switch is off when clearing jammed material.** *A moment of inattention while operating the product may result in serious personal injury.*
- c) **Hold the product by insulated gripping surfaces only, because the saw chain may contact hidden wiring. Saw chains contacting a “live” wire may make exposed metal parts of the product “live” and could give the operator an electric shock.**
- d) **Keep cable away from cutting area.** *During operation the cable may be hidden in shrubs and can be accidentally cut by the blade.*
- e) **Keep all parts of the body away from the saw chain when the product is operating. Before you start the product, make sure the saw chain is not contacting anything.** *A moment of inattention while operating products may cause entanglement of your clothing or body with the saw chain.*
- f) **Always hold the product with both hands on the handle and soft grip.***Holding the product with only one hand or on parts not intended for that increases the risk of personal injury and should never be done.*
- g) **Wear safety glasses and hearing protection. Further protective equipment for head, hands, legs and feet is recommended.** *Adequate protective clothing will reduce personal injury by flying debris or accidental contact with the saw chain.*
- h) **Do not operate a product in a tree.** *Operation of a product while up in a tree may result in personal injury.*
- i) **Always keep proper footing and operate the product only when standing on fixed, secure and level surface.** *Slippery or unstable surfaces such as ladders may cause a loss of balance or control of the product.*

- j) **When cutting a limb that is under tension be alert for spring back.** *When the tension in the wood fibres is released the spring loaded limb may strike the operator and/or throw the product out of control.*
- k) **Use extreme caution when cutting brush and saplings.** *The slender material may catch the saw chain and be whipped toward you or pull you off balance.*
- l) **Carry the product by the soft grip with the product switched off and away from your body. When transporting or storing the product always fit the guide bar cover.** *Proper handling of the product will reduce the likelihood of accidental contact with the moving saw chain.*
- m) **Follow instructions for lubricating, chain tensioning and changing accessories.** *Improperly tensioned or lubricated chain may either break or increase the chance for kickback.*
- n) **Keep handles dry, clean, and free from oil and grease.** *Greasy, oily handles are slippery causing loss of control.*
- o) **Cut wood only. Do not use product for purposes not intended. For example: do not use product for cutting plastic, masonry or non-wood building materials.** *Use of the product for operations different than intended could result in a hazardous situation.*
- p) **Pay attention to national and local regulations.** *National and local regulations may restrict the use of this product.*
- q) Only use replacement guide bars and saw chains specified by the manufacturer or equivalent replacements. Using non-approved cutting attachments can result in personal injuries and damage to property.
- r) Before using the product and after any impact or dropping, check for signs of wear or damage and repair as necessary.
- s) Never remove or modify any guard or safety component. Ensure that guards and other safety components necessary for machine operation are in position, in good working condition and properly maintained to avoid injuries.
- t) Training of all operation is necessary for first-time and inexperienced operator.
- u) Remove branches in small sections.

- v) Use the harness provided.

## Causes and operator prevention of kickback

Kickback may occur when the nose or tip of the guide bar touches an object, or when the wood closes in and pinches the saw chain in the cut.

Tip contact in some cases may cause a sudden reverse reaction, kicking the guide bar up and back towards the operator.

Pinching the saw chain along the top of the guide bar may push the guide bar rapidly back towards the operator.

Either of these reactions may cause you to lose control of the saw which could result in serious personal injury. Do not rely exclusively upon the safety devices built into your saw. As a product user, you should take several steps to keep your cutting jobs free from accident or injury.

Kickback is the result of tool misuse and/or incorrect operating procedures or conditions and can be avoided by taking proper precautions as given below:

- a) **Maintain a firm grip, with thumbs and fingers encircling the product handles, with both hands on the saw and position your body and arm to allow you to resist kickback forces.** *Kickback forces can be controlled by the operator, if proper precautions are taken. Do not let go of the product.*
- b) **Do not overreach.** *This helps prevent unintended tip contact and enables better control of the product in unexpected situations.*
- c) **Only use replacement bars and chains specified by the manufacturer.** *Incorrect replacement bars and chains may cause chain breakage and/or kickback.*
- d) **Follow the manufacturer's sharpening and maintenance instructions for the saw chain.** *Decreasing the depth gauge height can lead to increased kickback.*

## **Additional safety warnings for battery pack**

- a) **Battery pack needs to be charged before use.** *Always refer to the charger's instruction and charge it properly.*
- b) **Remove the battery pack from the product when not in use.**
- c) **Don't maintain the battery pack on the charger when not in use.**
- d) **After extended periods of storage, it may be necessary to charge and discharge the battery pack several times to obtain the maximum performance.**
- e) **Longer life and better performance can be obtained if the battery is charged when the air temperature is between 18°C and 24°C.** *Do not charge the battery in air temperature below 5°C or above 40°C. This is important as it can prevent serious damage to the battery.*
- f) **Do not charge battery in a damp or wet location.** *Following this rule will reduce the risk of electric shock.*
- g) **Do not disassemble the battery and avoid mechanical damage to the battery. Risk of short circuit and fumes may be emitted.** *Ensure fresh air and seek medical assistance in the event of discomfort.*
- h) **When disposing of battery pack, keep the battery pack of different electrochemical systems separate from each other.**

## **Health surveillance**

All employees should be part of an employer's health surveillance scheme to help identify any vibration related diseases at an early stage, prevent disease progression and help employees stay in work.

## **Vibration and noise reduction**

**To reduce the impact of noise and vibration emission, limit the time of operation, use low-vibration and low-noise operating modes as well as wear personal protective equipment.**

Take the following points into account to minimise the vibration and noise exposure risks:

1. Only use the product as intended by its design and these instructions.
2. Ensure that the product is in good condition and well maintained.
3. Use correct attachments for the product and ensure they are in good condition.
4. Keep tight grip on the handles/grip surface.
5. Maintain this product in accordance with these instructions and keep it well lubricated (where appropriate).
6. Plan your work schedule to spread any high vibration tool use across a longer period of time.
7. Prolonged use of the product exposes the user to vibrations that can cause a range of conditions collectively known as hand-arm vibration syndrome (HAVS) e.g. fingers going white; as well as specific diseases such as carpal tunnel syndrome. To reduce this risk when using the product, always wear protective gloves and keep your hands warm.

## Emergency

**Familiarise yourself with the use of this product by means of this instruction manual. Memorise the safety directions and follow them to the letter. This will help to prevent risks and hazards.**

1. **Always be alert when using this product, so that you can recognise and handle risks early.** *Fast intervention can prevent serious injury and damage to property.*
2. **Switch off and disconnect from the battery if there are malfunctions.** *Have the product checked by a qualified professional and repaired, if necessary, before you operate it again.*

## Residual risks

**Even if you are operating this product in accordance with all the safety requirements, potential risks of injury and damage remain. The following dangers can arise in connection with the structure and design of this product:**

1. Health defects resulting from vibration emission if the product is being used over long periods of time or not adequately managed and properly maintained.
2. Injuries and damage to property due to broken attachments or the sudden impact of hidden objects during use.
3. Danger of injury and property damage caused by flying objects.



**WARNING!** This product produces an electromagnetic field during operation! This field may under some circumstances interfere with active or passive medical implants! To reduce the risk of serious or fatal injury, we recommend persons with medical implants to consult their doctor and the medical implant manufacturer before operating this product!

## Symbols

On the product, the rating label and within these instructions you will find among others the following symbols and abbreviations. Familiarise yourself with them to reduce hazards like personal injuries and damage to property.

V	Volt, (direct current voltage)	mAh	Milliampere per hour
/min or min <sup>-1</sup>	Per minute	°C	Degree Celsius
mm	Millimetre	m	Metre
cm	Centimetre	ml	Millilitre
g	Gram	kg	Kilogram
dB(A)	Decibel (A-rated)	m/s <sup>2</sup>	Metres per second squared



Lock / to tighten or secure.



Unlock / to loosen.



Read the instruction manual.



Note / Remark.



Caution / Warning.

yyWxx

Manufacturing date code; year of manufacturing (20yy) and week of manufacturing (Wxx).



Always wear hearing protection.



Always wear eye protection.



Wear a dust mask.



Wear face protection.



Wear protective gloves.



Wear protective, slip-resistant footwear.



Wear tight-fitted protective clothes.



Wear head protection, where there is a risk of falling objects.



Switch the product off and remove battery pack before assembly, cleaning, adjustments, maintenance, storage and transportation.



Do not expose the product to rain or wet conditions (moisture).



Keep hands away from moving cutting device!

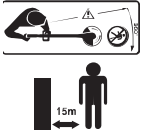


Keep bystanders away! Minimum distance is 15m.

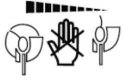
Objects thrown by the product could hit the user or other bystanders. Always ensure that other people and pets remain at a safe distance from the product when it is in operation. In general, children must not come near the area where the product is.



Inspect the area where the product is to be used and remove all objects which can be thrown by the product. If objects are hidden while operating stop the motor and remove the object.



Keep other people out of working area during operation. A distance of at least 15 m must be observed.



Contact of the guide bar tip with any object should be avoided.



Do not use saw blades!



**Beware of blade thrust.** Machines fitted with saw or grass blades can be thrown violently to the side when the blade comes into contact with a fixed object. The blade is capable of amputating an arm or leg. Always keep people and animals at least 15 metres from the product.



Danger from overhead electric-power lines! Keep at least 10 m distance.



**Kickback!** Tip contact may cause the guide bar to move suddenly upward and backwards what may cause serious injury to user.



Contact of the guide bar tip with any object should be avoided.



Always use the product with two hands. Do not use one handed when operating the product.



Chain oil fill.



Correct direction of cutting-teeth.



This product is of protection class II. That means it is equipped with enhanced or double insulation. Only for charger.



Danger of cutting of fingers or hand.



Danger of falling objects.



Guaranteed sound power level value in 109 dB.



WEEE symbol. Waste electrical products should not be disposed of with household waste. Please recycle where facilities exist. Check with your Local Authority or local store for recycling advice.



Crossed out dust bin. Batteries and battery packs should not be disposed of with household waste. Please recycle where facilities exist. Check with your Local Authority or local store for recycling advice.



Do not dispose of battery packs in rivers or immerse in water.



Do not dispose of battery packs in fire. They will explode and cause injury.



Do not expose battery packs to heat in excess of 40 °C.

Do not charge or store the battery pack in temperatures below 5 °C (41 °F) and above 40 °C (104°F).



The product complies with the applicable European directives and an evaluation method of conformity for these directives was done.



UK Conformity Assessed.

## Rating label explanation

### Cordless 5 in 1 Multi-Tool: M5MT36-Li TT5MT36-Li

M = Brand name (MAC Allister)

TT = Brand name (TITAN)

5 = 5 in 1

MT = Multi-Tool

36 = Rated voltage (V)

Li = Lithium-Ion

#### Battery pack: MDVB36-4

M = Brand name (MAC Allister)

DVB = Dual voltage battery

36 = Battery output voltage (V)

4 = Battery capacity (Ah)

#### Charger: MFC36

M = Brand name (MAC Allister)

FC = Fast charger

36 = Battery output voltage

#### TTB812BAT

TTB = Brand name (TITAN)

812 = Series number

BAT = Battery pack

#### TTB815CHR

TTB = Brand name (TITAN)

815 = Series number

CHR = Charger

## EN Technical specifications

---

### Motor unit :

- > **Rated voltage** : 36 V 
- > **Rated no load speed n<sub>0</sub>** : 6500 /min (as grass trimmer)  
6600 /min (as brush cutter)  
2800 /min (as hedge trimmer)
- > **Degree of protection** : IP20
- > **Protection class** : III
- > **Weight** : approx. 2.18 kg
- > **Dimensions** : approx. 880 x 340 x 140 mm

### Grass trimmer / brush cutter :

- > **Trimmer head item** : PGT1001
- > **Cutting width** : 30 cm
- > **Trimming line** : nylon, Ø 2.0 mm, length 2 x 3 m
- > **Cutter blade item** : PBC2303T
- > **Cutting width** : 23 cm
- > **Weight** : 1.29 kg

### Pole hedge trimmer :

- > **Blade length** : 40 cm
- > **Max. cutting length** : 38 cm
- > **Tooth gap** : max. 23 mm
- > **Weight** : 2.23 kg

### Pole pruner :

- > **Saw chain type** : 91PJ033X **Oregon**
- > **Guide bar type** : 080SDEA041 **Oregon**
- > **Guide bar length** : 203 mm
- > **Max. cutting length** : 180 mm
- > **Chain pitch** : 9.525mm (0.375")
- > **Chain gauge** : 1.27 mm (0.050")
- > **Drive links** : 33
- > **Maximum chain speed** : 17 m/s
- > **Oil tank volume** : 135 cm<sup>3</sup> (ml)
- > **Weight** : 1.45 kg


### Extension pole :

- > **Pole length** : 600 mm
- > **Weight** : 0.48 kg

### Battery pack :

- > **Model no.** : MDVB36-4 / TTB812BAT
- > **Capacity** : 8000 / 4000 mAh
- > **Voltage** : 18/36 V 
- > **Weight** : approx. 1.02 kg

### Charger :

- > **Model no.** : MFC36 / TTB815CHR
- > **Rated input voltage** : 220-240 V~, 50/60 Hz
- > **Rated input power** : 190 W
- > **Rated output voltage** : 21 V 

- > **Rated output current** : 8 A
- > **Protection class** : II □
- > **Weight** : approx. 690 g
- > **Ambient temperature range for charger and battery use** : 5°C to 40°C

**Sound values :**

- > **Sound pressure level  $L_{pA}$** 
  - > as grass trimmer : 76.7 dB(A)
  - > as brush cutter : 77.8 dB(A)
  - > as pole hedge trimmer : 74.2 dB(A)
  - > as pole pruner : 76.1 dB(A)
  - > **Uncertainty  $K_{pA}$**  : 3 dB(A)
- > **Measured sound power level  $L_{WA}$** 
  - > as grass trimmer : 77.7 dB(A)
  - > as brush cutter : 85.3 dB(A)
  - > as pole hedge trimmer : 95 dB(A)
  - > as pole pruner : 104 dB(A)
  - > **Uncertainty  $K_{WA}$**  : 3 dB(A)

**Hand arm vibration values :**

- > **Vibration  $a_{h,w}$  at main handle**
  - > as grass trimmer : 2.632 m/s<sup>2</sup>
  - > as brush cutter : 2.765 m/s<sup>2</sup>
  - > as pole hedge trimmer : 3.637 m/s<sup>2</sup>
  - > as pole pruner : 3.456 m/s<sup>2</sup>
- > **Vibration  $a_{h,w}$  at auxiliary handle**
  - > as grass trimmer : 2.632 m/s<sup>2</sup>
  - > as brush cutter : 2.765 m/s<sup>2</sup>
  - > as pole hedge trimmer : 3.637 m/s<sup>2</sup>
  - > as pole pruner : 3.456 m/s<sup>2</sup>
- > **Uncertainty K** : 1.5 m/s<sup>2</sup>

The sound value(s) have been determined according to noise test code given in EN 11806-1, EN 62841-4-2 and EN ISO 11680-1, using the basic standards EN ISO 11094 and EN ISO 3744.

The sound intensity level for the operator may exceed 80 dB(A) and ear protection measures are necessary.

The declared total vibration value(s) and the declared noise emission value(s) have been measured in accordance with a standard test method and may be used for comparing one tool with another;

The declared total vibration value(s) and the declared noise emission value(s) may also be used in a preliminary assessment of exposure.



**WARNING!** The vibration and noise emission during actual use of the power tool can differ from the declared total value depending on the ways in which the tool is used especially what kind of workpiece is processed;

The need to identify safety measures to protect the operator that are based on an estimation of exposure in the actual conditions of use (taking account of all parts of the operating cycle such as the times when the tool is switched off and when it is running idle in addition to the trigger time).

# EN Before you start

## Unpacking

1. Unpack all parts and lay them on a flat, stable surface.
2. Remove all packing materials and shipping devices if applicable.
3. Make sure the delivery contents are complete and free of any damage. If you find that parts are missing or show damage do not use the product but contact your dealer. Using an incomplete or damaged product represents a hazard to people and property.
4. Ensure that you have all the accessories and tools needed for assembly and operation. This also includes suitable personal protective equipment.



**WARNING!** The product and the packaging are not children's toys! Children must not play with plastic bags, sheets and small parts! There is a danger of choking and suffocation!

## You will need

### (items not supplied)

Suitable personal protective equipment  
Suitable hex key  
Suitable lubricant for hedge trimmer blade  
Suitable chain oil

### (items supplied)

Trimmer head (1)  
Guard (2)  
Guide bar (14)  
Saw chain (15)  
Cutter blade (3-Teeth) (35)  
Harness (39)  
Battery pack (40)  
Charger (41) and its manual  
Hex key (5mm) (42)  
Spindle lock rod (43)  
Multi tool (44)  
Double head screwdriver (45)



**NOTE:** The accessories required depend on the intended application. Ask your dealer for advice.

## Assembly



**WARNING!** The product must be fully assembled before operation! Do not use a product that is only partly assembled or assembled with damaged parts!



Follow the assembly instructions step-by-step and use the pictures provided as a visual guide to easily assemble the product!



Before using the product, familiarise yourself with the operating feature. Read the entire instruction manual paying particular attention to the safety rules and operating procedures.

Do not connect the product to battery pack (40) before it is completely assembled!



**NOTE:** Take care of small parts that are removed during assembly or when making adjustments. Keep them secure to avoid loss.

## Pole assembly

Fit the grass trimmer / brush cutter (3) attachment, the pole pruner (18) attachment or the pole hedge trimmer (30) attachment to the motor unit directly or through the extension pole (5) attachment to suit the intended operation.

1. Loosen the lock knob (6) anticlockwise (Fig. 1, step 1).
2. For example: Remove the protective sleeve (3a) firstly, then align the grass trimmer / brush cutter pole (3) with the locking sleeve (6c) and insert it (Fig. 1, step 2). Make sure the locking pin (3b) matches the bore (6c).
3. Make sure the locking pin (3b) snaps in place.
4. Secure the connections with the lock knob (6) (Fig. 1, step 3).

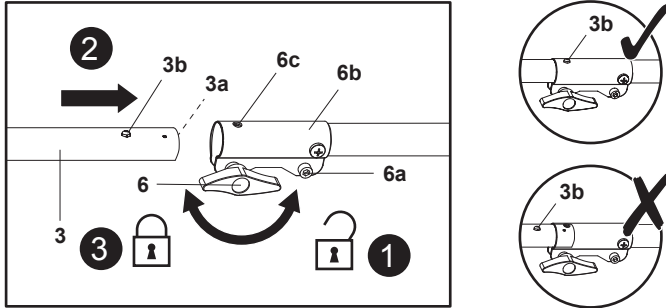


Fig. 1

5. If the extension pole (5) is needed for long reach, assemble the extension pole (5) to the motor unit and secure it with the locking knob (6) firstly, then assemble the required pole attachment (3 / 18 / 30) to the extension pole (5) and secure it with the locking knob (4).



**WARNING!** Make sure the bolt (6a / 4a) and the lock knob (6 / 4) are properly tightened before using the product.

## Guard assembly

1. Remove the mounting bolt (2a) from the guard (2) by using the supplied multi tool (44) and keep it handy (Fig. 2, step 1).
2. Align the guard (2) with the guard support (2c) on the grass trimmer / brush cutter pole (3) (Fig. 2, step 2) and hold it in place.
3. Align the guard cover (2b) with the guard support (2c) on the grass trimmer / brush cutter pole (3). Ensure that the sheet metal of the guard support (2c) is fully inserted the slot (2d) of the guard. Ensure the clip of the guard cover (2b) is pressed through the buckle (2g) of the guard (2) with an audible click sound (Fig. 2, step 3).
4. Make sure that the screw holes on guard (2), guard support (2c) and guard cover (2b) are well aligned.
5. Secure the connections with the mounting bolt (2a) clockwise by using the supplied multi tool (44) (Fig. 2, step 4).

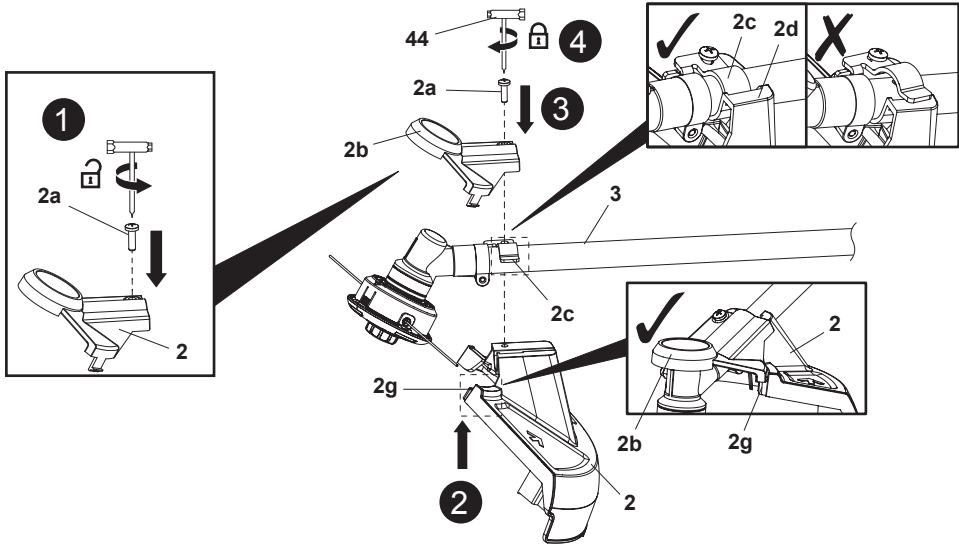


Fig. 2



**WARNING!** Never use the trimmer head (1) or cutter blade (35) without the guard (2) properly fitted.



**NOTE:** Always remove knife protector (2f) before use.

## Auxiliary handle

The auxiliary handle (7) is pre-mounted on the pole of motor unit. Check that the auxiliary handle (7) is securely tightened and the barrier (7b) is pre-fixed on the user side. If not, reassemble it and tighten the four mounting bolts (7 a) with a suitable hex key (not supplied) (Fig. 3).

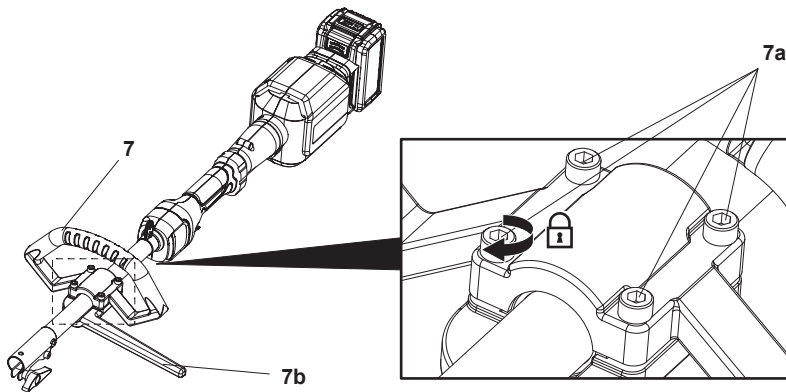


Fig. 3



**WARNING!** Never use the product without the auxiliary handle (7) properly fitted!

## Trimmer head

The trimmer head (1) was already pre-assembled for shipment. If not, please follow the below steps for assembly:

1. Make sure the guard (2) has been assembled properly.
2. Rotate the backing flange (36) until its hole is aligned with the notch in the gear head (38).
3. Insert the spindle lock rod (43) into the hole to lock the spindle (37).
4. Fit the locking flange (34) onto the backing flange (36).
5. Screw the trimmer head (1) onto the spindle (37) and tighten it anticlockwise by hand.
6. Remove the spindle lock rod (43) (Fig. 4).

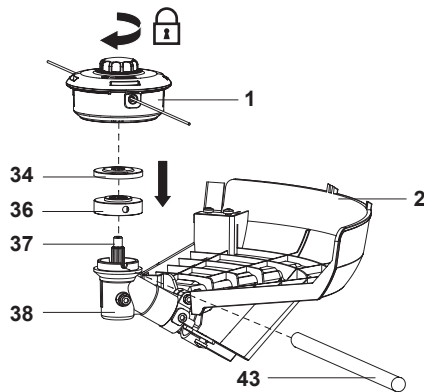


Fig. 4

## Brush cutter blade

1. Rotate the backing flange (36) until its hole is aligned with the notch in the gear head (38).
2. Insert the spindle lock rod (43) into the hole to lock the spindle (37).
3. Loosen the trimmer head (1) clockwise by hand and remove it together with the locking flange (34).
4. Fit the cutter blade (35) onto the spindle (37). Ensure that the cutter blade (35) sits flush on the extruded ring on the backing flange (36). Ensure that the direction of rotation marked on the cutter blade (35) and the guard (2) correspond.
5. Place the locking flange (34) and the cup washer (33) onto the cutter blade (35). Ensure that they are in the correct orientation.
6. Secure the cutter blade (35) by tightening the locking nut (32) anticlockwise using the supplied multi tool (44) and spindle lock rod (43).
7. Remove the multi tool (44) and the spindle lock rod (43).
8. Remove the blade protectors (35a) from the cutter blade (35) if attached before operation (Fig. 5).

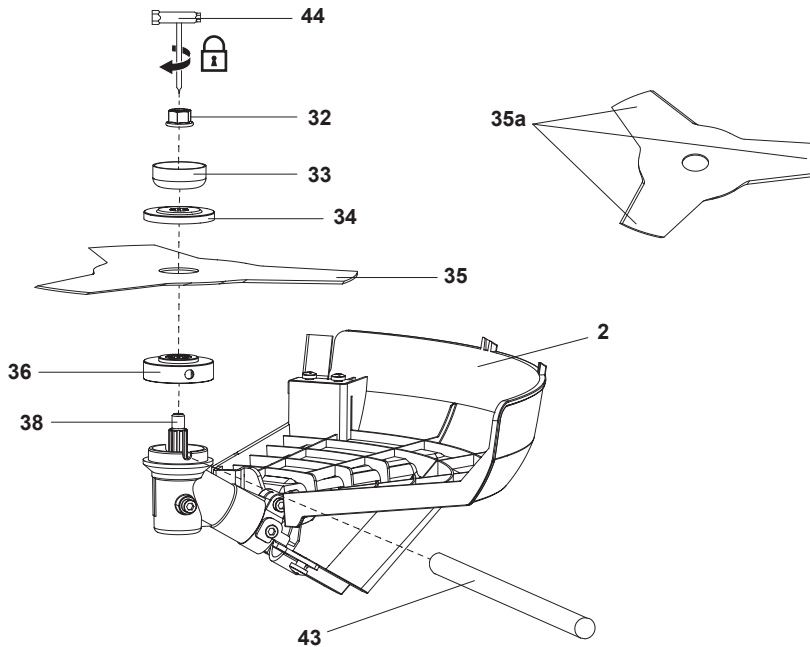


Fig. 5

## Hedge trimmer blade cover

1. Remove the hedge trimmer blade cover (31) from the hedge trimmer blade (25) before operation (Fig. 6).
2. Keep the hedge trimmer blade cover (31) safely.
3. The pole hedge trimmer is ready for use.

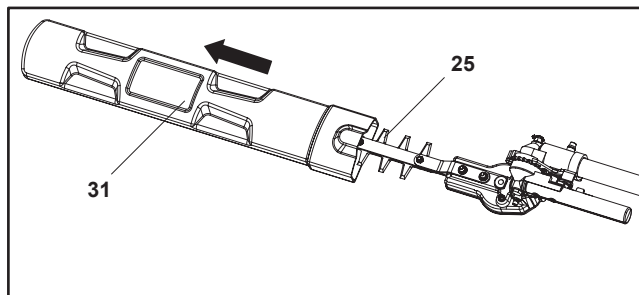


Fig. 6



**NOTE:** Always attach the hedge trimmer blade cover (31) when the product is not in use, for storage and transportation.

To attach the hedge trimmer blade cover (31), align and push the blade cover onto the hedge trimmer blade (25).

## Guide bar cover

1. Remove the guide bar cover (24) from the saw chain (15) and the guide bar (14) before operation (Fig. 7).
2. Keep the guide bar cover (24) safely.

3. The pole pruner is ready for use.

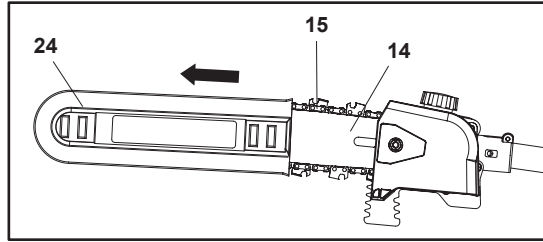


Fig. 7

### Saw chain and guide bar

The guide bar (14) and the saw chain (15) are pre-assembled on the pruner cutting unit. The user can re-assemble them with the new ones, if necessary.

1. Place the product on a suitable flat surface with the pruner cover (17) facing forwards.
2. Unscrew the locking nut (17a) anticlockwise and then remove it together with the pruner cove (17), the guide bar (14) and the saw chain (15) (Fig. 8).
3. Use the new guide bar (14) and saw chain (15) with same types described in the “technical specification”.

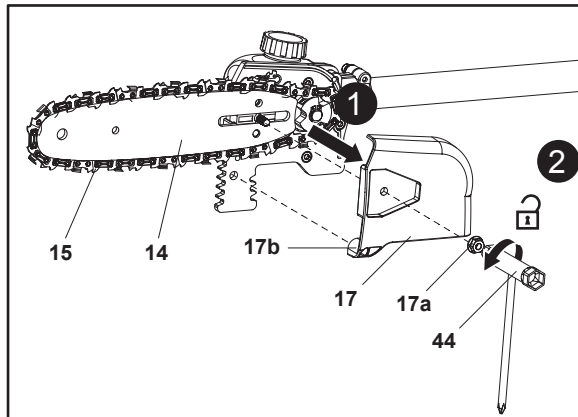


Fig. 8

4. Spread the saw chain (15) out with the cutting edges of the chain pointing in the direction of rotation.  
Slide the saw chain (15) into the groove around the guide bar (14). Ensure saw chain (15) is installed in correct direction of rotation (Fig. 9).

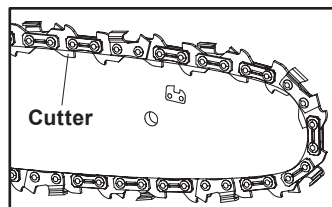


Fig. 9



**WARNING!** The direction of the saw chain 'cutters' must be same as indicated by the symbol and arrow on the guide bar (14) and also on the saw body under the pruner cover (17)!

5. Align the saw chain (15) and the guide bar (14) assembly with the drive sprocket (23) and the mounting bolt (20). Lay the saw chain (15) around the drive sprocket (23) and then lower the guide bar (14) to install it to the mounting bolt (20) (Fig. 10).
6. Make sure the tension pin (21a) is inserted into the lower hole on the guide bar (14). Screw the tension screw (21) anticlockwise to adjust the position of the tension pin (21a) towards the end of slot with the flat end of the supplied double head screwdriver (45).

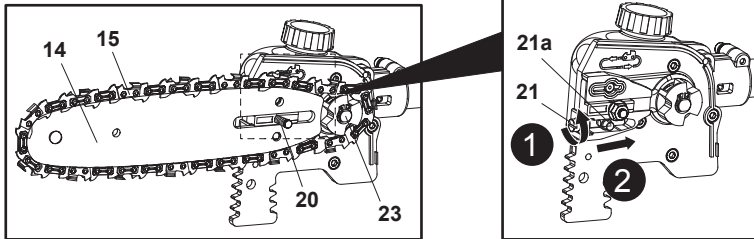


Fig. 10

7. The saw chain direction is as indicated by the arrow. Make sure the saw chain (15) is properly placed over the sprocket wheel (14a) of the guide bar (14) (Fig. 11).

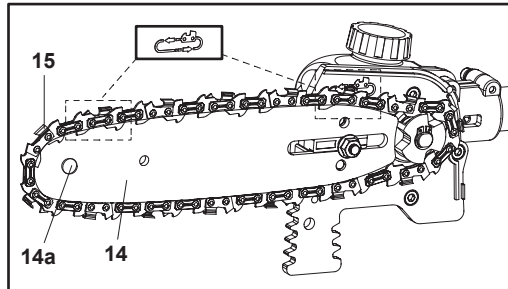


Fig. 11



**WARNING!** The direction of the saw chain 'cutters' must be as indicated by the symbol and arrow on the guide bar! Ensure the guide bar and saw chain are properly assembled in correct orientation; otherwise the saw chain will not function correctly and can cause a hazard to the user.

8. Screw the tension screw (21) clockwise to adjust the tension pin (21a) / guide bar (14) towards the left to tighten the saw chain (15) with the flat end of the supplied double head screwdriver (45) (Fig. 12).

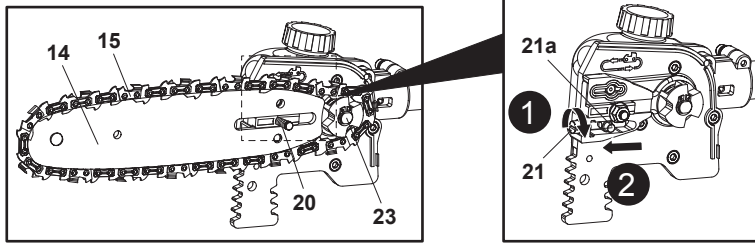


Fig. 12

- Refit the pruner cover (17) and slightly tighten the locking nut (17a) clockwise (Fig. 13). Ensure that the spigot (17b) is properly engaged in the hole of the spiked bumper (22). Do not tighten the locking nut (17a) completely as saw chain tensioning is required first.

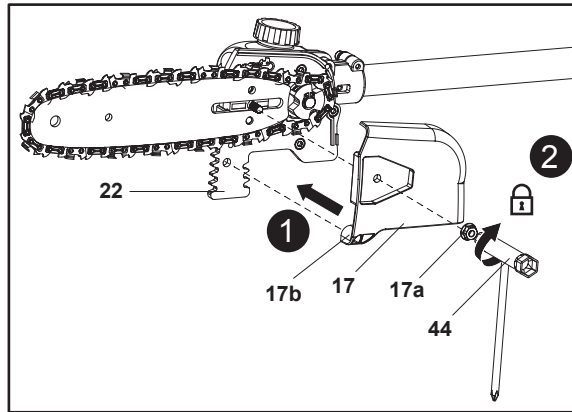


Fig. 13



**NOTE:** The saw chain (15) has not yet been tensioned. Tension the chain as described under “Saw chain tensioning”. After operating the product for approx. 1 hour, adjust the chain tension again.

### Saw chain tensioning

Always check the saw chain tension before use, after the first cuts and regularly during use, approx. every five cuts. Upon initial operation, new chains can lengthen considerably. This is normal during the break-in period and the interval between future adjustments will lengthen quickly.



**WARNING!** Disconnect the product from the battery before adjusting saw chain tension!



The cutting edges of the saw chain are sharp! Always wear protective gloves when handling chain!



Always maintain proper chain tension! A loose chain increases the risk of kickback! A loose chain may jump out of the guide bar groove! This may injure the operator and damage the chain! A loose chain will cause rapid wear to the chain, guide bar and sprocket!

Tensioning the chain too tightly will overload the motor and cause damage, and insufficient tension can cause chain derailing, whereas a correctly tightened chain provides the best cutting characteristics and prolonged working life! The chain life mainly depends upon sufficient lubrication and correct tensioning!

1. Place the product on a suitable flat surface with the pruner cover (17) facing towards you.
2. Check the chain tension using one hand to lift the saw chain (15) against the weight of the product. The correct chain tension is achieved when the saw chain can be lifted by approximately 2 - 4 mm from the guide bar (14) in the centre (Fia.14, 15).

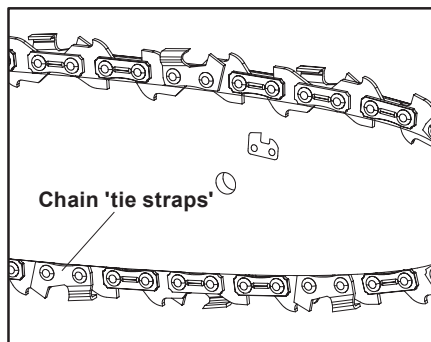


Fig. 14

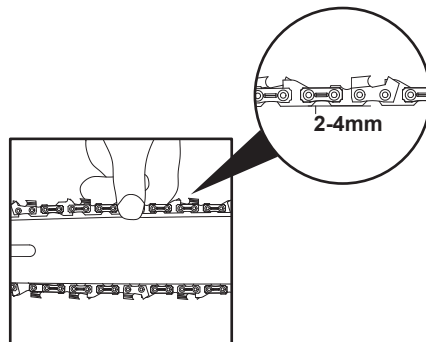


Fig. 15

3. Adjust the tension if you find that the saw chain (15) is too loose or tight.
4. Slightly loosen the locking nut (17a), then screw the tension screw (21) with the flat end of the supplied double head screwdriver (45) in or out to adjust the tension pin (21a) / guide bar (14) towards the right or left until the chain 'tie straps' are just touching the bottom edge of the guide bar (14), hold it in the position.
5. Pull the saw chain (15) along the top of the guide bar (14) by gloved hand from one end to the other, several times. The saw chain (15) should feel tight but still move freely. If the tension of the chain has been adjusted, re-check the tension again in accordance with Step 2.
6. After the adjustment, re-tighten the locking nut (17a).

## Chain lubrication



**WARNING!** The product is not filled with chain oil. It is essential to fill the product with chain oil before using it! Never operate the product without chain oil as this will result in extensive damage to the product!

Operating the saw chain dry or with too little chain oil will decrease cutting efficiency, shorten the product life span and cause rapid wear to the saw chain and guide bar from overheating!

Insufficient chain oil is evident by smoke or bar discoloration! Adequate lubrication of the saw chain during cutting operations is essential to minimise friction with the guide bar!

1. Place the product on a stable, level surface with the oil tank cap (16) facing upward. We recommend laying a non-flammable sheet under the product.
2. Unscrew and remove the oil tank cap (16) (Fig. 16).

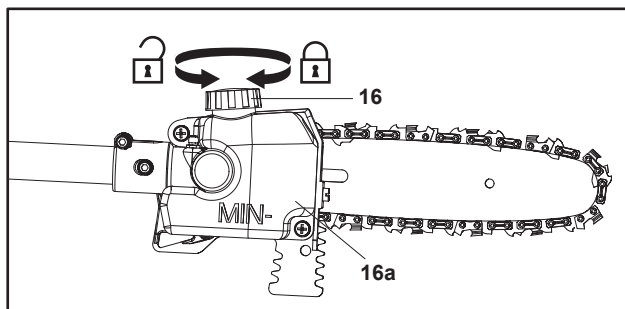


Fig. 16

- Fill suitable lubricant into the tank using an oil funnel fitted with a filter to avoid debris entering the tank. We recommend using environmentally friendly chain oil specially intended to be used with this product.



**NOTE:** In summer use SAE #30; in winter, or if the trees have excessive sap, use SAE #10.

- Don't fill the oil lower than the "MIN" mark on the oil level window (16a), but also do not overfill and leave approximately 5 mm of space between the top of the oil and the inside edge of the tank to allow for expansion (Fig. 17).

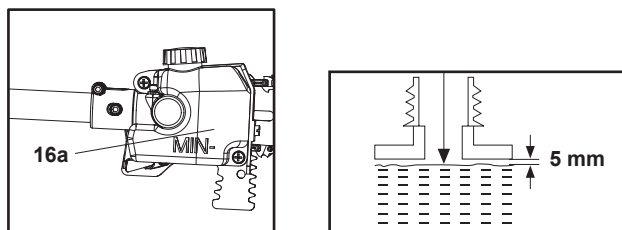


Fig. 17



**NOTE:** Towards the end of the season, it is advisable to put only as much lubricant in the tank as you need for each cut, so that it is completely used up before you store the product.

- Check the oil level window (16a) prior to start-up and regularly during operation. Refill oil when the oil level is close to the bottom of the oil level window (16a) (Fig. 17).
- Wipe up spilled lubricant with a soft cloth and refit the oil tank cap (16).



**NOTE:** Always dispose of lubricant, used oil and objects contaminated with them in accordance with local regulations.

### Checking

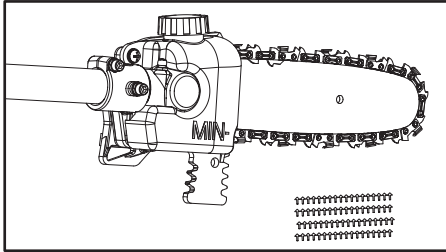


**NOTE:** Perform the following test before operating your product.

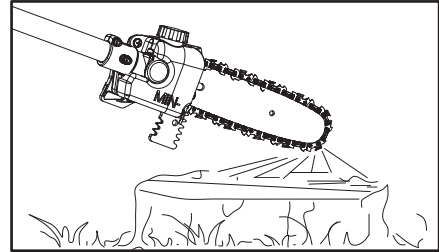
This product is equipped with an automatic oiling system. The oiling system automatically delivers the proper amount of oil to the bar and chain.

Checking the lubrication requires starting the product. Before checking, the product must be fully assembled and all instructions must have been read.

1. Make sure the guide bar (14) and the saw chain (15) are in place when you check the oil delivery.
2. Start the product; keep it running at no load and check if the chain oil is delivered as shown in the figure (Figs.18, 19).

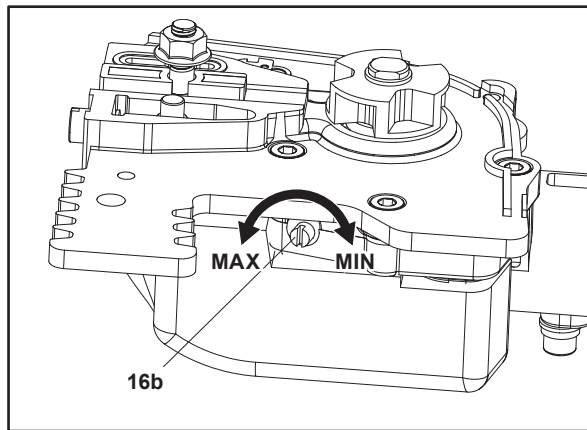


**Fig. 18**



**Fig. 19**

3. Adjust the oil adjustment screw (16b) of the oiler on the bottom of the product to adjust the chain oil flow using the flat end of the supplied double head screwdriver (45), which is on the bottom of the product (Fig. 20).



**Fig. 20**

## Battery pack

### Attaching / releasing the battery pack

1. Align the battery pack (40) with the sliding slots of the battery docking port (13) and slide the battery pack (40) in to attach it. Ensure it clicks in place (Fig. 21).
2. Press the release button (40c) and remove the battery pack (40) from the battery docking port (13) (Fig. 22).

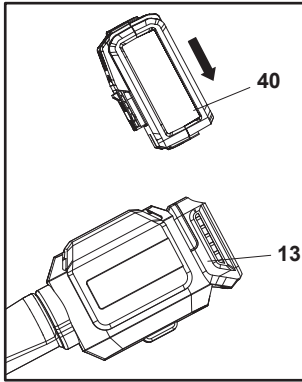


Fig. 21

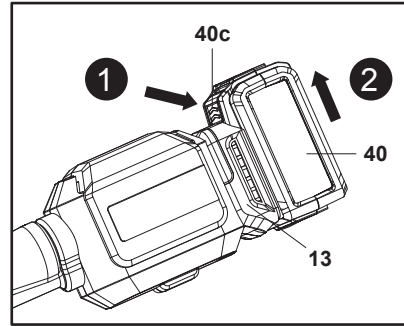


Fig. 22

### Charging the battery pack

The battery pack (40) for this product has been shipped in a low charge condition. Charge it fully before first use.

Refer to the charger's instruction manual (MFC36) for the details.

### Battery capacity indicators

The battery pack (40) is equipped with the battery capacity indicators (40b) which are used to give an indication of the battery pack's remaining capacity. Press the battery capacity button (40a) to check battery capacity (Fig. 23). The LEDs will stay lit for approximately 3 seconds.

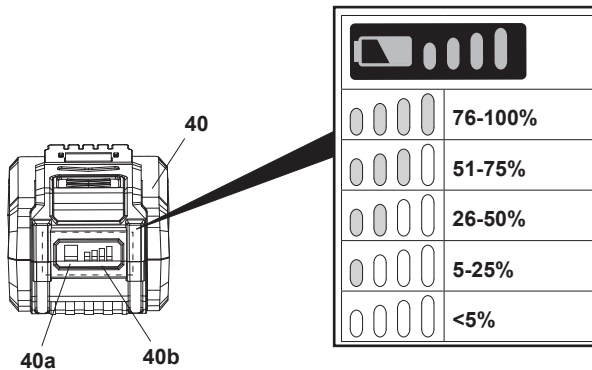


Fig. 23

## EN Functions & Settings

### Intended use

This Cordless Multi Tool is designated with a rated voltage of 36 V $\pm$ . It is designed only to be used with the battery pack which is listed in the chapter of "Technical specifications".

The product is intended to cut smaller types of weed, lawn grass or similar soft vegetation when assembled with grass trimmer attachment. It should not be used to cut unusually thick grass or vegetation, wet grass or to shred leaves etc.

The product is intended to cut heavier weeds, brush and similar vegetation with a thickness of up to 10 mm when assembled with brush cutter attachment.

The product is intended for cutting and trimming of hedges, bushes and shrubs in domestic gardens when assembled with pole hedge trimmer attachment. The maximum cutting capacity must be observed. Do not cut branches exceeding the stated maximum capacity.

The product is intended for cutting limbs with a thickness of max. 180 mm when assembled with pole pruner attachment. It should not be used for cutting other materials, such as plastic, stone, metal or wood that contains foreign objects.

The product may only be used with the guide bar/saw chain combination stated in these instructions. It is not permitted to use other types or sizes. Vertical and horizontal cuts can be performed with this product. Longitudinal sections can only be cut by professionals.

This product should not be used outside of domestic premises e. g. for cutting firewood in forested areas.

The product is intended for long reach operation when assembled with the extension pole attachment.

Do not use this product in wet or humid conditions.

For safety reasons it is essential to read the entire instruction manual before first operation and to observe all the instructions therein.

This product is intended for private domestic use only, not for any commercial trade use. It must not be used for any purposes other than those described.

## Harness

The harness (39) helps the operator to carry the product.

1. Adjust the position of the hanging hook (9) if necessary. Make sure it is well fixed on the upper pole of motor unit before operation.
2. Place the harness (39) so that
  - the securing clip (39a) and hip protection pad (39b) are on the right side,
  - the quick release lever (39c) is in front;
  - all strap closures are securely fastened,
  - the belts must be tensioned in a way that the load is distributed evenly on the shoulders (Fig. 24).

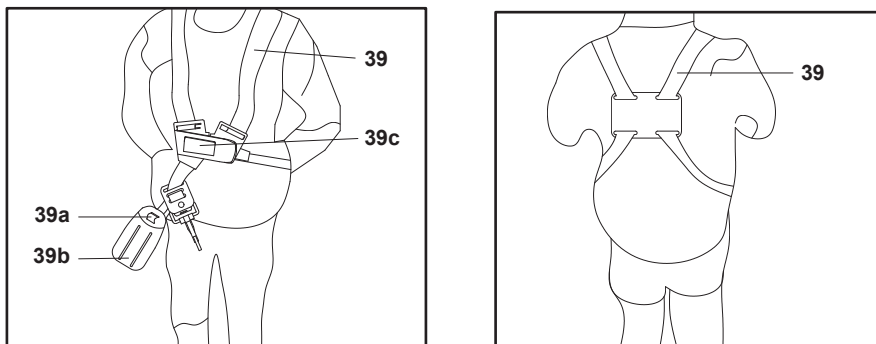


Fig. 24

3. Adjust the length of the harness (39) so that the securing clip (9a) is approximately 15 cm below your waist.
4. Attach the securing clip (39a) to the loop of the hanging hook (9) (Fig. 25).
5. Lock the harness (39) on the hanging hook (9). Make sure the protection pad (39b) runs under the upper pole (Fig. 26).

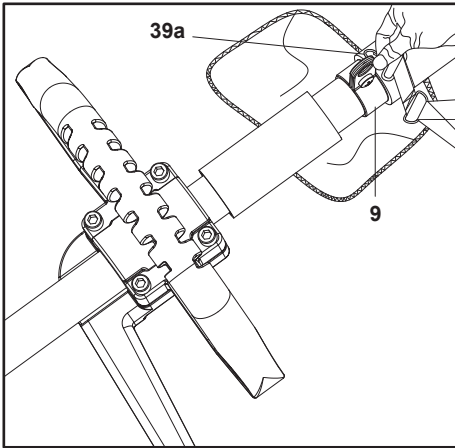


Fig. 25

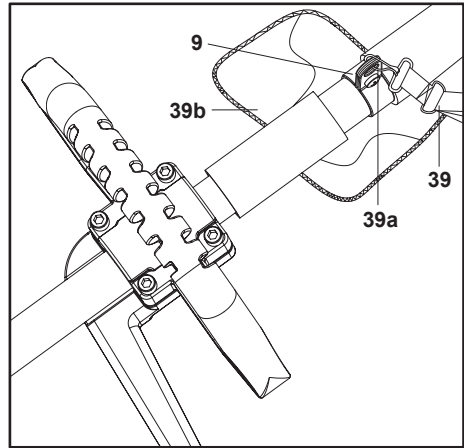


Fig. 26

6. Ensure the position of the product is properly balanced.
7. Ensure that the angle of the cutting head is parallel to the surface being cut (Fig. 27).

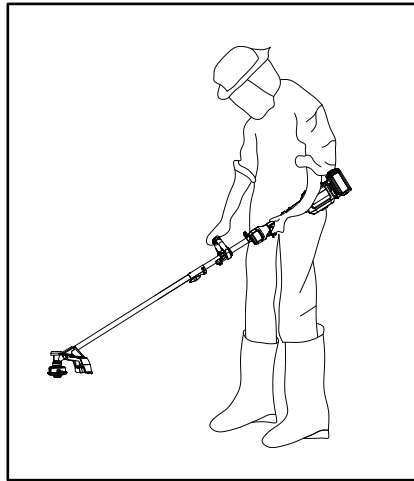


Fig. 27



**WARNING!** Always attach the product to the harness (39). Do not carry it only with your hands!

8. In case of emergency hold the front foam grip (8) with the right hand, and use the left hand to pull open the quick release lever (39c). The harness (39) will be released automatically from the body because of the weight of the product (Fig. 28).

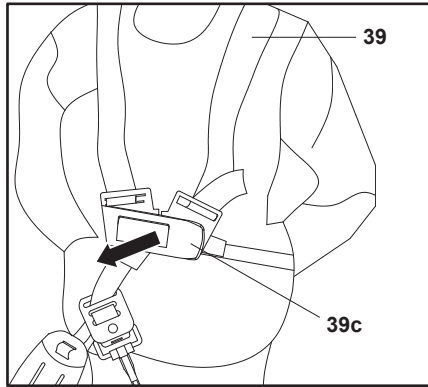


Fig. 28

## Guard

The guard (2) protects the operator against thrown objects during operation. It is equipped with a knife (2e) that cuts the trimming lines (1d) (Fig. 29).

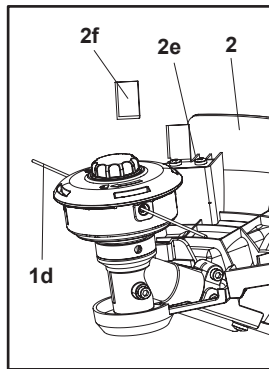


Fig. 29



**NOTE:** Always remove the knife protector (2f) before use.

## Swivelling the pole hedge trimmer

The angle of the blade head for pole hedge trimmer attachment can be adjusted into 12 positions (Fig. 30):

1. Squeeze the control lever (28) and the lock / release lever (27) together to unlock the angle adjustment and hold it in position.
2. Adjust the blade head to the desired position by swinging the operation handle (29) with the other hand.
3. Release the control lever (28) and the lock / release lever (27) and keep moving the operation handle (29) until they click into the recesses of angle plate of the pole hedge trimmer attachment.
4. Ensure the blade head locks in place before operation.

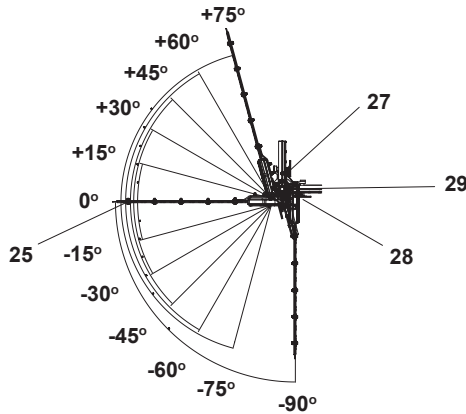


Fig. 30



**WARNING!** The blade head for pole hedge trimmer can be adjusted in twelve different positions.

Always ensure the blade head is securely locked! Do not attempt to use the product with the head in an intermediate position!

## Switching on/off

1. Ensure that the battery pack (40) is assembled on the battery docking port (13).
2. Ensure that the trimmer head (1), the saw chain (14), the hedge trimmer blade (25) or the cutter blade (35) do not touch any objects. Remove the guide bar cover (24) or the hedge trimmer blade cover (31) from the saw chain (15) or the hedge trimmer blade (25) before switching the product on.
3. Hold the product with one hand on the main handle (11) and the other hand on the auxiliary handle (7). Do not start the product while handling it with one hand.
4. Push forward the lock-off lever (10a) and hold it in position (Fig. 31, step 1).
5. Squeeze the on/off switch (10) to switch the product on (Fig. 31, step 2). Release the lock-off lever (10a) afterwards.
6. Release the on/off switch (10) to switch the product off.

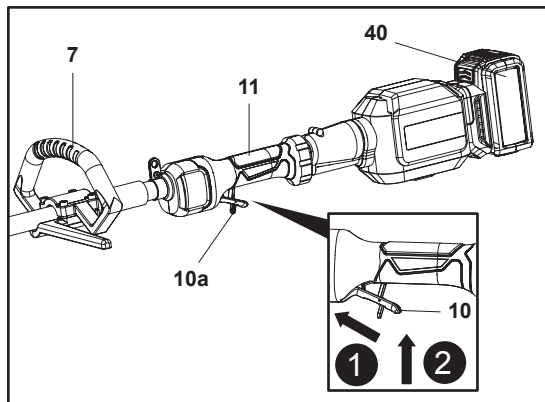


Fig. 31



**WARNING!** The product will continue to work for some time even after the motor has been switched off! Wait until it comes to a complete stop before you put the product down

## Saw chain stop test



**NOTE:** Perform the following test before operating your product when assembled with the pole pruner attachment.

1. Release the on/off switch (10) to switch the product off, the saw chain must come to a stop.



**WARNING!** If the saw chain shows any signs of moving, stop the motor immediately! Wait for all moving parts to stop! Contact a qualified specialist to have a check!

---

## EN Operation

---

### General operation

1. Check the product, its battery pack and charger as well as accessories for damage before each use. Do not use the product if it is damaged or shows wear. Take care of any problem you find or have the product checked by qualified specialist.
2. Double check that the accessories and attachments are properly fixed.
3. Check the chain oil level, refill if necessary.
4. Always hold the product by its handle(s) (7, 11). Keep the handle(s) dry and clean to ensure safe support.
5. Ensure that the air vents (12a) are always unobstructed and clear. Clean them if necessary with a soft brush. Blocked air vents (12a) may lead to overheating and damage the product.
6. Switch the product off immediately if you are disturbed while working by other people entering the working area. Always let the product come to complete stop before putting it down.
7. Do not overwork yourself. Take regular breaks to ensure you can concentrate on the work and have full control over the product.
8. Before switching the product on, check whether it has been assembled correctly and all the moving parts are running smoothly!
9. While working, ensure that the product does not strike hard objects, as this can cause damage.



**WARNING!** In some countries regulations define at what time of the day and on what special days products are allowed to be used and what restrictions apply! Ask your community for detailed information and observe the regulations in order to preserve a peaceful neighbourhood and avoid committing administrative offences! (not applicable for UK)

### Brush Cutting

1. Assemble the extension pole (5) for long reach if necessary.
2. Attach the cutter blade (35) to cut heavier weeds, brush and similar vegetation. Make sure that the guard (2) has been attached properly.



**WARNING!** To avoid hazards never cut heavier weeds, brush and similar vegetation with a thickness exceeding the capacity stated in section “Technical specification”!

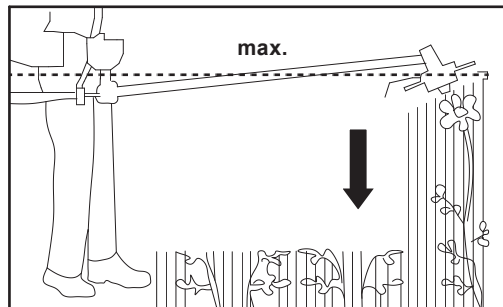
Avoid contact with stones, wire, glass etc. that may cause injury to the user! Inspect the blade regularly for damage, cracks or breaks! Always replace a damaged blade!



**Kickback (blade thrust):** When working with the blade there is always a risk of kickback (blade thrust) if the cutting device comes into contact with a hard object! Kickback (blade thrust) will cause the sudden stalling of the cutting device, which in turn results in the cutting device being forced in the opposite direction to the rotation of the blade! Ensure that you retain a firm grip with both hands at any sign of such kickback (blade thrust), pay attention and retain a firm stance to avoid injuries!

Kickback (blade thrust) is more likely to occur in areas where it is difficult to see the material to be cut when holding tool pointing directly upwards at between 90 and 45 degrees!

3. Hold the product firmly so that it sits with a gap between the product and your right side.
4. Stand upright, do not lean forward and pay attention to posture. Keep both feet apart to help retain your balance.
5. Never hold the cutting head higher than your hip (Fig. 32), the higher you hold the cutting head will increase the risk of objects being thrown.

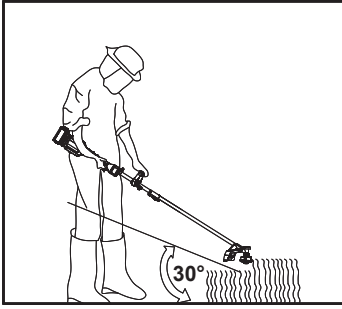


**Fig. 32**

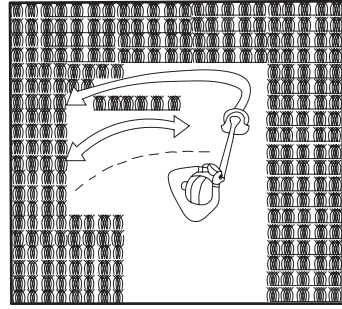
6. Carefully plunge the blade from above when cutting long undergrowth.

## Grass Trimming

1. Attach the trimmer head (1) to cut smaller types of weed, lawn grass or similar soft vegetation. Make sure that the guard (2) has been attached properly.
2. Hold the product firmly with a gap between the product and your right side.
3. Stand upright, do not lean forward and pay attention to posture. Keep both feet apart to help retain your balance.
4. Hold the trimmer head (1) just above the ground at an angle of approximately 30° (Fig. 33).
5. Move the product with a slow regular arc from left to right before moving it back to the starting position before trimming the next area (Fig. 34).

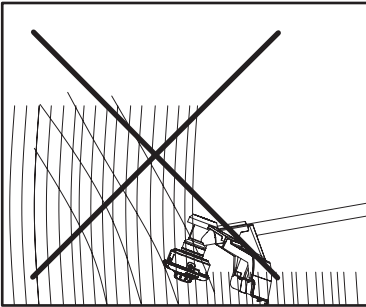


**Fig. 33**

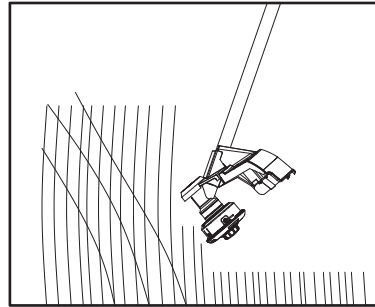


**Fig. 34**

6. Ensure the cutting device remains clean and free from off-cuts that may cause it to jam. Check regularly. Release the on/off switch (10) and disconnect the product from the battery before checking.
7. Trim longer grass in stages; do not cut long grass in one cut (Fig. 35). For the best results, cut longer grass in steps (Fig. 36).



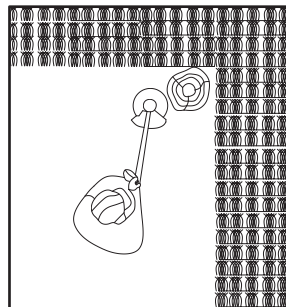
**Fig. 35**



**Fig. 36**

## Tips

1. For best results, do not cut wet grass because it tends to stick to the cutting head and guard, prevents proper discharge of grass trimmings, and could cause you to slip and fall.
2. Do not allow the spool cover to drag on the ground or other surfaces.
3. Pay special attention when performing the work close to trees and bushes. The cutting head could damage sensitive bark, and damage fence posts (Fig. 37).



**Fig. 37**



**NOTE:** The trimming line will wear faster and require more replacement if cutting is done along sidewalks or other abrasive surfaces or heavier weeds are being cut.



**NOTE:** While trimming, the cutting device is possible to be blocked by grass or unevenly ground. So the product will turn off automatically due to over current. Therefore release the on/off switch for over 3s and then press down again to go on with trimming.

## Grass Trimming Line feeding

During use, the tip of the trimming line (1d) will get shorter due to wear and the trimming line may break. Regularly check the condition of the trimming line (1d) and adjust if necessary.

The guard (2) is equipped with a knife (2e) helping to cut the trimming lines (1d) while operating.



**WARNING!** Always switch the product off, remove the battery pack and let the product cool down before performing inspection, maintenance and cleaning work!



**NOTE:** The line feeding system works only when the product is switched on.

1. Tap the bumper (1 b) on solid ground and the trimmer head (1) will release trimming lines (1d).
2. Excess line will be cut by the knife (2e) (Fig. 38).

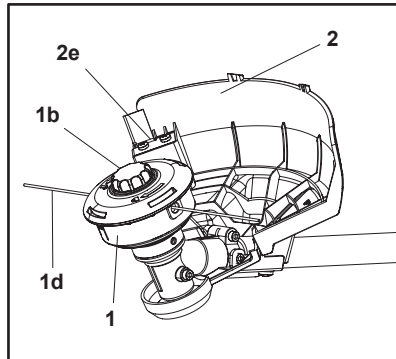


Fig. 38



**WARNING!** The trimming lines (1d) will be thrown out! Danger of injury especially for bystanders!

## Hedge Trimming times

green leaf hedges

June to October

evergreens

April and August

conifers and other fast growing shrubs

every 6 - 8 weeks

## Hedge Trimming



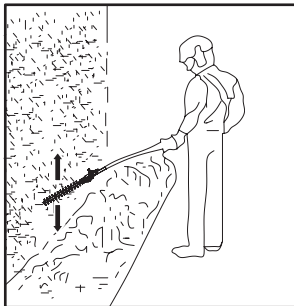
**NOTE:** Try to keep the cutting device angled at approximately 15° to the cutting surface.



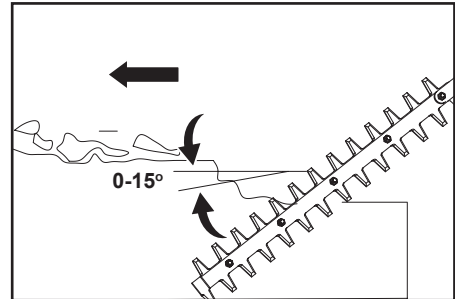
**WARNING!** The hedge trimmer must be used by the operator at ground level and not on ladders or any other unstable support.

Check the hedges and bushes for foreign objects before operating, e.g. wire fences and hidden wiring.

1. Make sure that the hedge trimmer blade cover (31) is removed, and the battery pack (40) is assembled before operation.
2. Ensure that no people or animals are in the work area.
3. Adjust the product to a suitable blade head angle.
4. Assemble the extension pole (5) for long reach if necessary.
5. Cut and remove branches exceeding the cutting capacity of this product using a proper pruner before operation.
6. Always hold the product firmly with both hands on main handle (11) and the auxiliary handle (7). Never operate this product using only one hand.
7. Do not rush and do not attempt to cut too much with one stroke of the cutting device.
8. First cut both sides from the bottom upwards to the top. This will prevent any of the cuttings falling into the path of the area still to be cut (Fig. 39).
9. After cutting the sides proceed to the top. Try to keep the cutting device angled at approximately 15° to the cutting surface (Fig. 40).



**Fig. 39**



**Fig. 40**

10. When cutting wide hedges with the cutting area in sight move the cutting blade lightly through the cutting surface in a sweeping motion following the shape of the hedge or shrub. A slight tilt downwards of the cutting blade in the direction of motion is recommended for optimum cutting performance.
11. Cut in a number of stages to achieve a better result rather than trying to cut in one go if the area being cut is particularly long (Fig. 41); smaller cuttings will allow for easy composting.



Fig. 41

12. Move the product with slow motion forward when cutting higher hedge and the cutting area out of sight (Fig. 42).



Fig. 42

- i** **NOTE:** When shaping it is advisable to achieve a trapezoidal shape (Fig. 43). A trapezoidal cut corresponds to the natural growth of plants and results in optimal hedge growth, as it will expose more light to the lower end of the hedge.

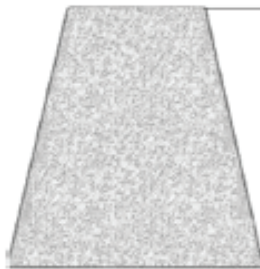


Fig. 43

13. Lubricate the internal surfaces of the blade if the hedge trimmer blade (25) overheats during operation (Fig. 44).



- WARNING!** This operation must only be performed when the blades have stopped running and the product is switched off!

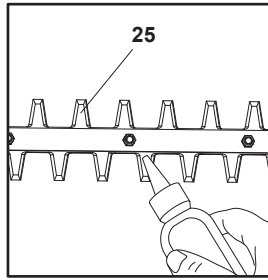


Fig. 44

## Pruning times

Only operate the product at reasonable hours - not early in the morning, late at night or on weekends/public holidays when people might be disturbed. Inform yourself about local restrictions.

## Pruning

### Kickback



**WARNING!** Beware of kickback! Kickback can lead to dangerous loss of control of the product and result in serious or fatal injury to the operator or anyone standing close by! Always be alert because rotational kickback and pinch kickback are major product operational dangers and the leading cause of most accidents!



1. Kickback is the sudden backward/upward motion of the product, occurring when the chain (at the tip of the chain bar) comes in contact with a log or wood, or when the chain becomes jammed.
2. When kickback occurs the product reacts unpredictably and can cause severe injuries to the operator or bystanders.
3. With a basic understanding of 'kickback', the element of surprise can be reduced or eliminated. Sudden surprise contributes to the majority of accidents.
4. You should read all the safety warnings and user instructions carefully before attempting to operate this product.

### To avoid kickback:

- Never work with a loose, widely stretched or heavily worn chain.
- Always use a low kickback chain.
- Ensure correct chain tension.
- Ensure the chain is sharpened correctly.
- Never work with the tip of the guide bar.
- Saw with the guide bar at a flat angle.
- Always hold the product firmly with both hands.

### Pruning

1. Make sure that the guide bar cover (24) is removed, and the battery pack (40) is assembled before operation.
2. Assemble the extension pole (5) for long reach if necessary.
3. Always hold the product firmly with both hands on main handle (11) and the auxiliary handle (7). Never operate this product using only one hand (Fig. 45).
4. Maintain a firm grip with your thumbs and fingers encircling the handles. A firm grip will help you reduce 'kickback' and maintain control of the product.
5. Always hold the product at an angle of not more than 60° from the horizontal level. Otherwise safe operation is not possible (Fig. 46).

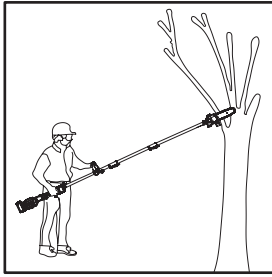


Fig. 45

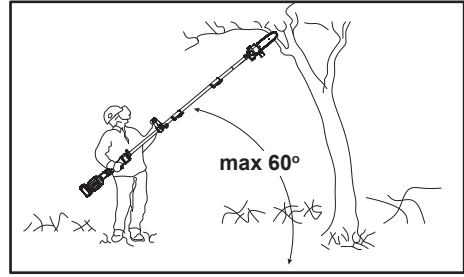


Fig. 46

6. Never stand directly under the limb you are sawing. Objects may fall differently than expected. Always position yourself out of the path of falling limbs (Fig. 47).
7. Keep other persons away from cutting end of product and at a safe distance from the work area. Maintain a minimum distance of 10 m to bystanders (Fig. 48).

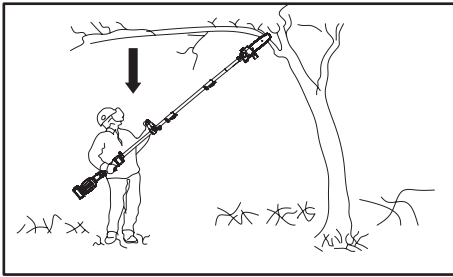


Fig. 47

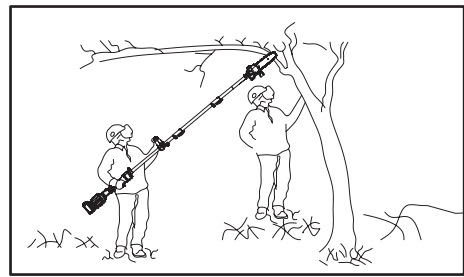


Fig. 48



**WARNING!** Never climb into a tree to prune! Do not stand on ladders, platforms, logs, or in any position which may cause you to lose your balance or control of the product! When pruning trees, it is important not to make the flush cut next to main limb or trunk until you have cut off the limb further out to reduce the weight! This prevents stripping the bark from the main member!

8. Never stand on a ladder or other type of unstable support while using the product. Insecure stand invites hazards (Fig. 49).

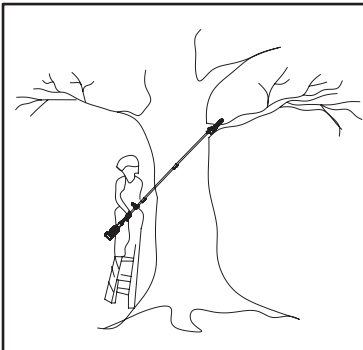


Fig. 49

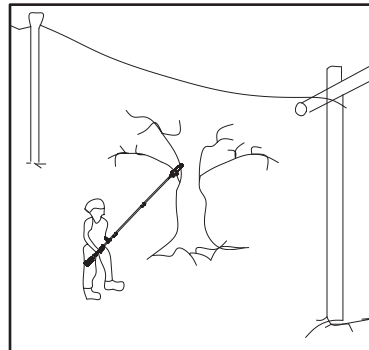


Fig. 50



**WARNING!** This product has not been designed to provide protection from electric shock in the event of contact with overhead electric lines! Therefore do not use product near cable, electric power or telephone lines. Keep a minimum distance of 10 m to all electric lines (Fig. 50).

9. Use the product only with secure footing. Hold the product at the right-hand side of your body. Regularly change the working position and include rest periods during operation.
10. Do not operate the product with arms fully extended or attempt to cut areas which are difficult to reach.
11. Keep a firm, steady pressure on the product while working with it. Do not try to force the product through the wood, let the cutting device do the work, using the gripping teeth to apply minimal leverage pressure.
12. Beware when reaching the end of the cut. The weight of the product may change unexpectedly as it cuts free from the wood. Accidents can occur to the legs and feet. Always remove the product from a wood cut while it is running.



**NOTE:** The chain must be running at full speed before it comes into contact with the wood.

### Thin branches

Thin branches can be cut off with one single cut. To prevent the branch from slivering and buckling the branch should be cut off in several pieces (Fig. 51).



Fig. 51

### Thick branches

When cutting off larger branches three cuts are necessary.



Fig. 52

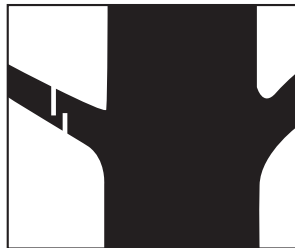


Fig. 53



Fig. 54

1. First cut into the branch from below outside the place where you intend to cut off the branch. The cut should go from one third to halfway through the branch (Fig. 52).
2. Cut into the branch from the top outside at the same height the branch is sawn from top (Fig. 53).
3. Last, cut off the stump with one clean cut from top to bottom (Fig. 54).



**NOTE:** Remove the branches lying on the floor regularly to avoid stumbling hazards. Check the oil level regularly and fill up if necessary. Switch the power off and disconnect from power source when leaving the product.

## After use

1. Switch the product off, remove the battery back (40) and let it cool down.
2. Attach the hedge trimmer blade cover (31) to the hedge trimmer blade (25). Attach the guide bar cover (24) to the saw chain (15).
3. Check, clean and store the product as described below.

---

## EN Care and maintenance

---

### The golden rules for care



**WARNING!** Always switch the product off, remove the battery pack (40) and let the product cool down before performing inspection, maintenance and cleaning work!

1. Keep the product clean. Remove debris from it after each use and before storage.
2. Regular and proper cleaning will help ensure safe use and prolong the life of the product.
3. Inspect the product before each use for worn and damaged parts. Do not operate it if you find broken and worn parts.



**WARNING!** Only perform repairs and maintenance work according to these instructions! All further works must be performed by a qualified specialist!

### General cleaning

1. Clean the product with a damp cloth and pH-neutral soap. Use a brush for areas that are hard to reach.
2. In particular clean the air vents (12a) after every use with a cloth and brush.
3. Remove stubborn dust with high pressure air (max. 3 bar).



**NOTE:** Do not use chemical, alkaline, abrasive or other aggressive detergents or disinfectants to clean this product as they might be harmful to its surfaces.

4. Check for any damage and wear. Repair damage in accordance with this instruction manual or take it to an authorised service centre before using the product again.

## Maintenance

Before and after each use, check the product and accessories (or attachments) for wear and damage. If required, exchange them for new ones as described in this instruction manual. Observe the technical requirements.

### Trimmer head and cutter blade

Replace worn or damaged trimmer head (1) and cutter blade (35).



**WARNING!** Never use other blades including metal multi-piece pivoting chains and flail blades. Otherwise serious injury may result.

1. Keep the trimmer head (1), the cutter blade (35) and the guard (2) clean and free of debris. Remove grass trimmings.



**WARNING!** Wear safety gloves when working on either cutting attachment. Use appropriate tools to remove debris e.g. a brush or wooden stick! Never use your bare hands!

2. Keep the cutter blade (35) sharp to retain a good cutting performance.

## Guard

1. Keep the guard (2) clean and free of debris. Remove trimmings.
2. Replace the guard (2) with one of the same type when it is worn or shows damage.

## Trimming line

### Replace the trimming spool

Replace the line spool when it is empty or worn.

1. Turn the product upside down to access the trimmer head (1).
2. Rotate the trimmer head (1) until the hole on the backing flange (36) is aligned with the notch in the gear head (38).
3. Insert the spindle lock rod (43) into the hole to lock the spindle (37) (Fig. 55, step 1).
4. Loosen the trimmer head (1) clockwise (Fig. 55, step 2) by hand and remove it from the spindle (37).
5. Press the release latches (1 e) on both sides and hold them in position (Fig. 56, step 1), then rotate the cover (1a) anticlockwise to disengage it from the trimmer head (1) (Fig. 56, step 2).
6. Remove the cover (1 a) and the trimming spool (1 c) from the housing (1 h) (Fig. 56, step 3).

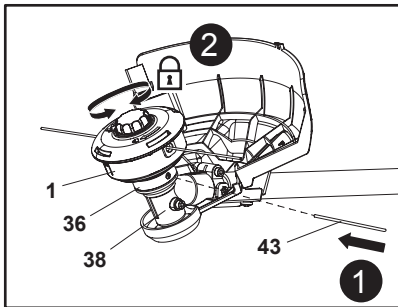


Fig. 55

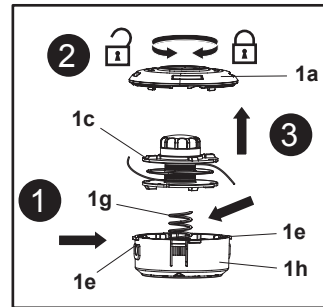


Fig. 56

7. Clean the housing (1h) before inserting a new trimming spool (1c) of the same type.
8. Pull the trimming line (1d) from the new / refilled spool for a length of approx. 25 cm.
9. Release the trimming line (1d) from the notches and hold it in position. Avoid the trimmer line (1d) separating from the trimming spool (1c) (Fig. 57, step 1).
10. Lead the trimming line end through the eyelet (1f) on the housing (1h) (Fig. 57, step 2).
11. Repeat the above steps (from 8 to 10) to lead the other trimming line ending through the other eyelet (1f).
12. Insert the trimming spool (1c) into the housing (1h) (Fig. 57, step 3).
13. Align the slots of the cover (1a) with the tip of release latches (1e).
14. Press down the cover (1a) against the spring (1g) and rotate the cover (1a) clockwise and make sure it snaps into place.

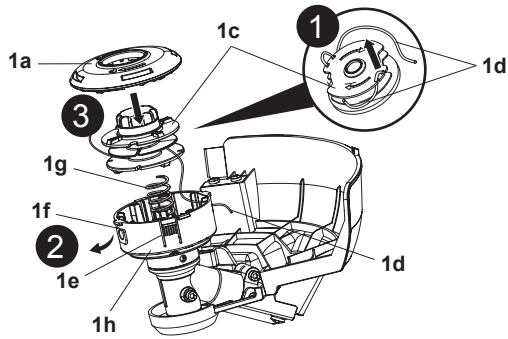


Fig. 57

**Refill the trimming line in the trimming spool**

1. Remove the trimming spool (1c) from the housing (1h) as instructed in the section “Trimming line - Replace the trimming spool”.
2. Discard all the remaining line (1d) from the trimming spool (1c).
3. Clean the housing (1h) and the trimming spool (1c).
4. Cut a new 6 m long trimming line (1 d) with a diameter of 2.0 mm.
5. Double the trimmer line (1 d) back and lead the loop through the slot of the trimming spool (1c) and hook it (Fig. 58).

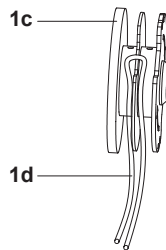


Fig. 58

6. Wind all the trimming lines firmly around the trimming spool in direction of the arrows on the trimming spool (1c) (Fig. 59).

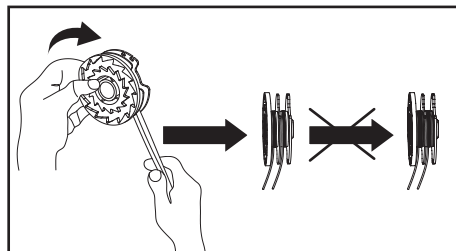


Fig. 59

## Hedge trimmer blade



**WARNING!** Wear safety gloves when working on the cutting device and close to it! Use appropriate tools to remove debris, e. g. a brush or wooden stick! Never use your bare hands!

1. Keep the hedge trimmer blade (25) clean and free of debris. Remove trimmings with a brush.
2. Apply a small amount of suitable lubricant on the hedge trimmer blade (25) to retain a good cutting performance (Fig. 60).

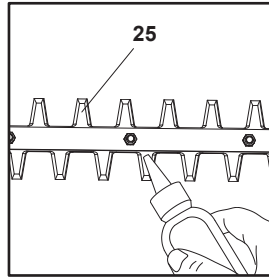


Fig. 60

## Sprocket wheel



**NOTE:** It is not necessary to remove the saw chain (15) to lubricate the sprocket wheel (14a). Lubrication can be done on the job.

1. Clean the sprocket wheel (14a).
2. Using a disposable lube gun, insert the needle nose into the lubrication hole (14b) (Fig. 61) and inject grease until it appears at the outside edge of the sprocket wheel (14a).

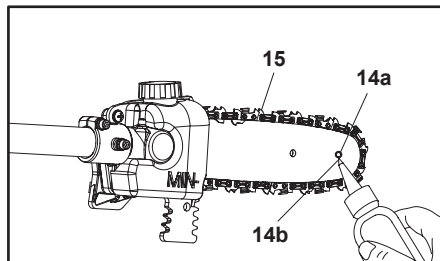


Fig. 61

3. Rotate the saw chain (15) by hand. Repeat the lubrication procedure until the entire sprocket wheel (14a) has been greased.

## Guide bar and saw chain maintenance

### Guide bar

Most guide bar problems can be prevented merely by keeping the product well maintained. Incorrect filing and non-standard cutter and depth gauge settings are the causes of most guide bar problems, primarily resulting in uneven bar wear. As the bar wears unevenly, the rails widen, which may cause the chain to clatter and make it difficult to complete straight cuts. If the guide bar is insufficiently lubricated and the

product is operated with a saw chain which is too tight, this will contribute to rapid bar wear. To help minimise bar wear, maintenance of the guide bar as well as the saw chain is recommended.

1. Disassemble the guide bar (14) and saw chain (15) in reversed order from assembly.
2. Check the oiling port (19) for clogging and clean if necessary to ensure proper lubrication of the guide bar and saw chain during operation. Use a soft wire small enough to insert into the oil discharge hole (Fig. 62).

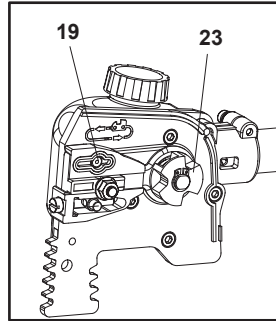


Fig. 62

**i** **NOTE:** The condition of the oil passages can be easily checked. If the passages are clear, the chain will automatically give off a spray of oil within seconds of the product starting. Your product is equipped with an automatic oiling system.

3. Check the drive sprocket (23). If it is worn or damaged due to strain, have it replaced by an authorised service agent.
4. Clear residue from the rails on the guide bar (14) by using a screwdriver, putty knife, wire brush or other similar tool. This will keep the oil passages open to provide proper lubrication to the guide bar (14) and saw chain (15) (Fig. 63).

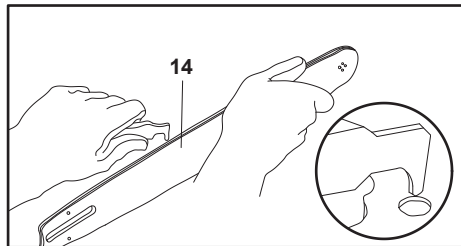


Fig. 63

5. Regularly check the guide bar rail for abnormal wear. Both sides of the rail should remain at the same height when viewed along the rail edge. Abnormal wear as seen in Fig.64 indicates that the bar needs to be replaced.

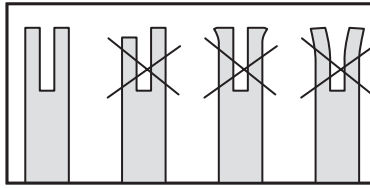


Fig. 64

6. Occasionally disassemble the guide bar and flip it over to allow even wear, thereby extending the life span of the guide bar (14).
7. Check the saw chain for possible wear and damage. Replace it with a new one if required. Experienced users can sharpen a dull saw chain (see section "Saw chain sharpening" below).
8. Refit the guide bar (14) and the saw chain (15) as described under "Assembly".

### Saw chain sharpening



**NOTE:** Never saw with a blunt chain. The saw chain is blunt if you have to push the product into the tree and the chips are very small.

1. Have the saw chain (15) sharpened professionally at an authorised service centre or sharpen the chain yourself by using a proper sharpening kit. Also observe the sharpening instructions supplied with the sharpening kit.



**WARNING!** Only sharpen the saw chain yourself if you are trained and have experience! Use proper tools to sharpen the saw chain!

2. The height difference between the tooth and the ridge is the cutting depth. When sharpening the saw chain (15) you have to consider the following points (Fig. 65).

- File angle
- Cutting angle
- File position
- Diameter of round file
- File depth

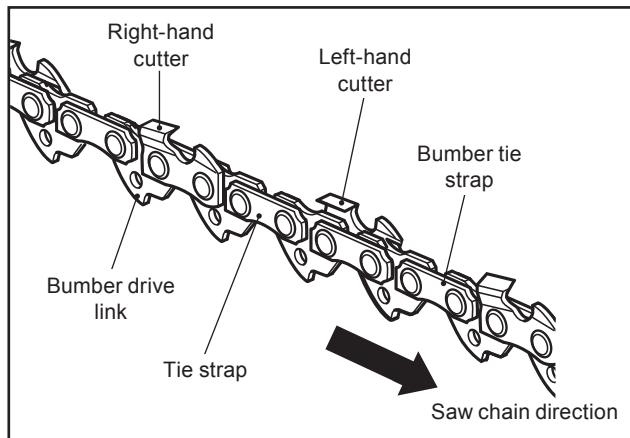


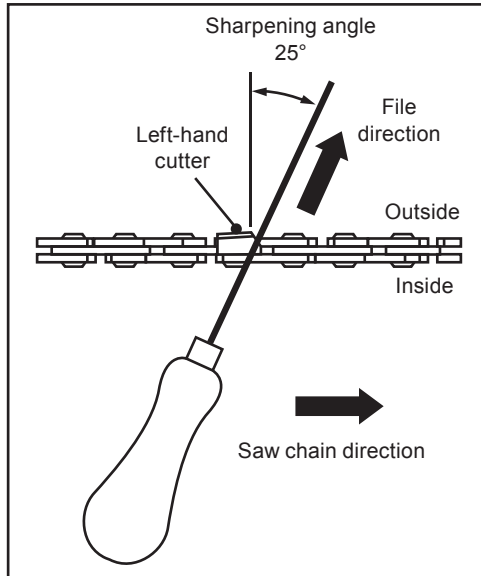
Fig. 65

3. To sharpen the chain proceed as follows: Ensure tool is disconnected from the battery.
  - Use protective gloves.
  - Ensure the chain is correctly tensioned.
  - Engage the chain brake to lock the chain on the bar.
4. Use a chain file, whose diameter is 1.1 times the cutting tooth depth. Make sure 20 % of the file diameter is above the cutter's top plate.



**NOTE:** A file guide is available from most reputable tool merchants and is the easiest way to hold the file at the correct position.

5. File at an angle perpendicular to the bar, and at an angle of 25° to the direction of travel (Fig. 66).



**Fig. 66**

6. File each tooth from the inside towards outside only. File one side of the chain first than turn the saw around and repeat the process.
7. Sharpen each tooth equally by using the same number of strokes.
8. Keep all cutter lengths equal. Check the safety depth gauge height every 5 sharpenings. If the depth gauges are also trimmed it is essential that the original profile be restored.
9. Use a depth gauge measuring instrument to check the height of the depth gauge. Depth gauge measuring jigs are available from most reputable tool merchants (Fig. 67).

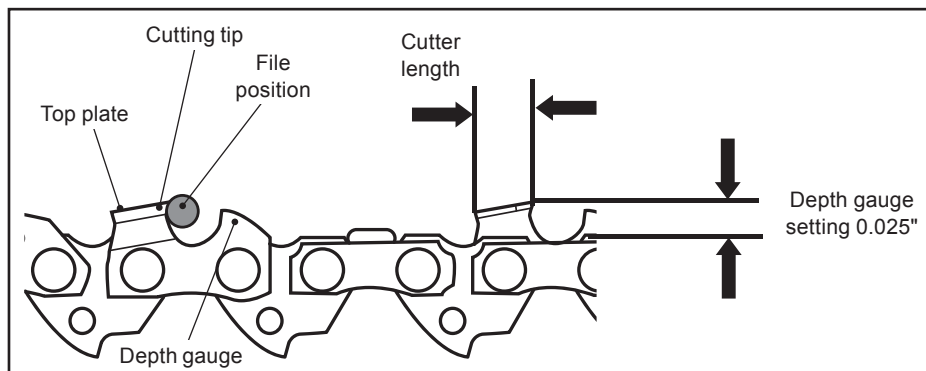


Fig. 67

## Spare parts/Replacement parts

The following parts of this product may be replaced by the consumer. Spare parts are available at an authorised dealer or through our customer service.

Description	Model no. or Specification
Guard bar (14)	080SDEA041
Saw chain (15)	91P033X
Battery pack (40)	MDVB36-4 /TTB812BAT
Charger (41)	MFC36 /TB815CHR
Macallister/Titan Spool Set	PGT1001
Macallister/Titan Tri Blade	PBC2303T

## Repair

This product does not contain any parts that can be repaired by the consumer. Contact an authorised service centre or a similarly qualified person to have it checked and repaired.

## Storage

1. Switch the product off and remove the battery pack (40).
2. Clean the product as described above.
3. Dismantle the pole assembly if necessary.
4. Attach the knife protector (2f) on the knife (2e) of the guard (2) if necessary.  
Attach the hedge trimmer blade cover (31) onto the hedge trimmer blade (25) if necessary.  
Attach the guide bar cover (24) to the saw chain (15).
5. Store the product and its accessories in a dark, dry, frost-free, well-ventilated place.
6. Always store the product in a place that is inaccessible to children. The ideal storage temperature is between 10 °C and 30 °C.
7. We recommend using the original package for storage or covering the product with a suitable cloth or enclosure to protect it against dust.
8. Empty the oil tank if you are not going to use the product for an extended period of time (more than 3 months) and before storing it for the winter.
9. Charge the battery pack (40) before long-time storage.

## Transportation

1. Switch the product off and remove the battery pack (40).
2. Attach the knife protector (2f) on the knife (2e) of the guard (2).  
Attach the hedge trimmer blade cover (31) onto the hedge trimmer blade (25) if necessary.  
Attach the guide bar cover (24) to the saw chain (15) if necessary.
3. Always carry the product by its auxiliary handle (7) and the front foam grip (8).
4. Protect the product from any heavy impact or strong vibrations which may occur during transportation in vehicles.
5. Secure the product to prevent it from slipping or falling over.

## Troubleshooting

Suspected malfunctions are often due to causes that the users can fix themselves. Therefore check the product using this section. In most cases the problem can be solved quickly.



**WARNING!** Only perform the steps described within these instructions! All further inspection, maintenance and repair work must be performed by an authorised service centre or a similarly qualified specialist if you cannot solve the problem yourself!

Problem	Possible cause	Solution
1. Product does not start	1.1. Battery pack is not properly attached	1.1 Attach properly
	1.2. Battery pack is discharged	1.2 Remove and charge battery pack
	1.3. Battery pack is damaged	1.3 Check by a specialist electrician
	1.4. Other electrical defect to the product	1.4. Check by a specialist electrician
2. Product does not reach full power	2.1. Battery pack capacity is too low	2.1 Charge battery pack
	2.2. Air vents are blocked	2.2 Clean the air vents
3. Unsatisfactory result	3.1. Trimming line is worn / damaged	3.1 Replace with a new one
	3.2. Cutter blade is worn / damaged	3.2 Replace with a new one
	3.3. Hedge trimmer blade is worn / damaged	3.3. Replace with a new one
	3.4. Thickness of branches exceeds capacity	3.4. Only cut branches complying with the capacity
	3.5. Saw chain not tensioned properly	3.5. Tension properly
	3.6. Saw chain is dull/damaged	3.6. Sharpen or replace the saw chain

Problem	Possible cause	Solution
4. Product suddenly stops	4.1. Battery pack is discharged	4.1. Remove and charge battery pack
	4.2. Battery pack is too hot	4.2. Remove battery pack and let it cool down
	4.3. Hedge trimmer blade or saw chain is blocked	4.3. Remove blockage
5. Excessive vibration or noise	5.1. Trimmer head is damaged	5.1. Replace with a new one
	5.2. Cutter blade is damaged	5.2. Replace with a new one
	5.3. Trimming line is worn/damaged	5.3. Replace with a new one
	5.4. Hedge trimmer blade or saw chain is dull/damaged	5.4. Replace with a new one
	5.5. Bolts/nuts are loose	5.5. Tighten bolts/nuts

## Recycling and disposal



Waste electrical products should not be disposed of with household waste. Please recycle where facilities exist. Check with your Local Authority or local store for recycling advice.

**For further information visit [www.recycle-more.co.uk](http://www.recycle-more.co.uk).**

The product comes in a package that protects it against damage during shipping. Keep the package until you are sure that all parts have been delivered and the product is working properly. Recycle the package afterwards.

## Disposal of an exhausted battery pack



The battery is Li-Ion type. To preserve natural resources, please recycle or dispose of the battery pack properly. Consult your local waste authority for information regarding available recycling and / or disposal options.

Discharge your battery pack by operating your tool, then remove the battery pack from the tool and cover the battery pack connections with heavy duty adhesive tape to prevent short circuit and energy discharge.

Do not attempt to open or remove any of the components.

## EN Guarantee

---

We take special care to select high quality materials and use manufacturing techniques that allow us to create products incorporating design and durability. This product has a manufacturer's guarantee of 2 years against manufacturing defects, from the date of purchase (if bought in store) or date of delivery (if bought online), at no additional cost for normal (non-professional or commercial) household use.

To make a claim under this guarantee, you must present your proof of purchase (such as a sales receipt, purchase invoice or other evidence admissible under applicable law), please keep your proof of purchase in a safe place. For this guarantee to apply, the product you purchased must be new, it will not apply to second hand or display products. Unless stated otherwise by applicable law, any replacement product issued under this guarantee will only be guaranteed until expiry of the original period guarantee period.

This guarantee covers product failures and malfunctions provided the product was used for the purpose for which it is intended and subject to installation, cleaning, care and maintenance in accordance with the information contained in these terms and conditions, in the user manual and standard practice, provided that standard practice does not conflict with the user manual.

This guarantee does not cover defects and damage caused by normal wear and tear or damage that could be the result of improper use, faulty installation or assembly, neglect, accident, misuse, or modification of the product. Unless stated otherwise by applicable law, this guarantee will not cover, in any case, ancillary costs (shipping, movement, costs of uninstalling and reinstalling, labour etc), or direct and indirect damage.

This guarantee does not cover defects and damage caused by or resulting from:

- Normal wear and tear
- Overload, misuse or neglect
- Repairs attempted by anyone other than an authorised agent
- Cosmetic damage
- Damage caused by foreign objects, substances or accidents
- Accidental damage or modification
- Failure to follow manufacturer's guidelines
- Loss of use of the goods

If the product is defective, we will, within a reasonable time, repair, replace or provide spare parts.

Rights under this guarantee are enforceable in the country in which you purchased this product. Guarantee related queries should be addressed to the store you purchased this product from.

The guarantee is in addition to and does not affect your statutory rights.





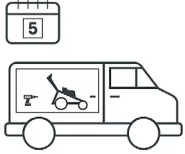
**IMPORTANT - RETAIN THIS INFORMATION  
FOR FUTURE REFERENCE:  
READ CAREFULLY**

# Customer care and technical helpline

## A better way to repair your tools

Kingfisher takes special care in creating high-quality garden power tools that are designed to last. But if a fault develops with your garden power tool and you need to claim under the guarantee, the Customer Care and Technical Helpline can support with technical assistance or if required, arrange a free courier collection from your home, assess your garden power tool for fault, repair it, and return it.

Deciding to repair your product rather than buying a replacement and adding to the mountain of waste is a more sustainable choice and you will be doing your bit for the environment.

How does it work?				
				
Step 1	Step 2	Step 3	Step 4	Step 5
Find your proof of purchase and get in touch with the Customer Care and Technical Helpline.	Chat to them about the problem with your tool.	They will provide technical and user advice or alternatively arrange a courier collection from your home.*	The team will assess and test and if necessary, repair your product back to full working order.	Your repaired tool will be returned to you via courier within 5 working days*.

### Get in touch

If you need help or more information, please contact the Customer Care and Technical Helpline:

UK: 0800 0789647

Eire: 1800 932226

Opening hours are Monday – Friday, 8am-5pm

### Availability of spare parts

Contact the customer service helpline for assistance or visit [www.kingfisherspares.com](http://www.kingfisherspares.com)

For assistance contact the customer services helpline:

UK 0800 0789647 [uk@Kingfisherservice.com](mailto:uk@Kingfisherservice.com)

EIRE 1800 932226 [eire@kingfisherservice.com](mailto:eire@kingfisherservice.com)

Further information about this product can also be found at:

[www.kingfisher.com/products](http://www.kingfisher.com/products)

---

**Manufacturer:**

**UK Manufacturer:**

Kingfisher International Products Limited,  
1 Paddington Square, London, W2 1GG,  
United Kingdom

**EU Manufacturer:**

Kingfisher International Products B.V.  
Rapenburgerstraat 175E  
1011 VM Amsterdam  
The Netherlands

**EN** [www.diy.com](http://www.diy.com)  
[www.screwfix.com](http://www.screwfix.com)  
[www.screwfix.ie](http://www.screwfix.ie)

**To view instruction manuals online,  
visit [www.kingfisher.com/products](http://www.kingfisher.com/products)**